

# LONDON 6040

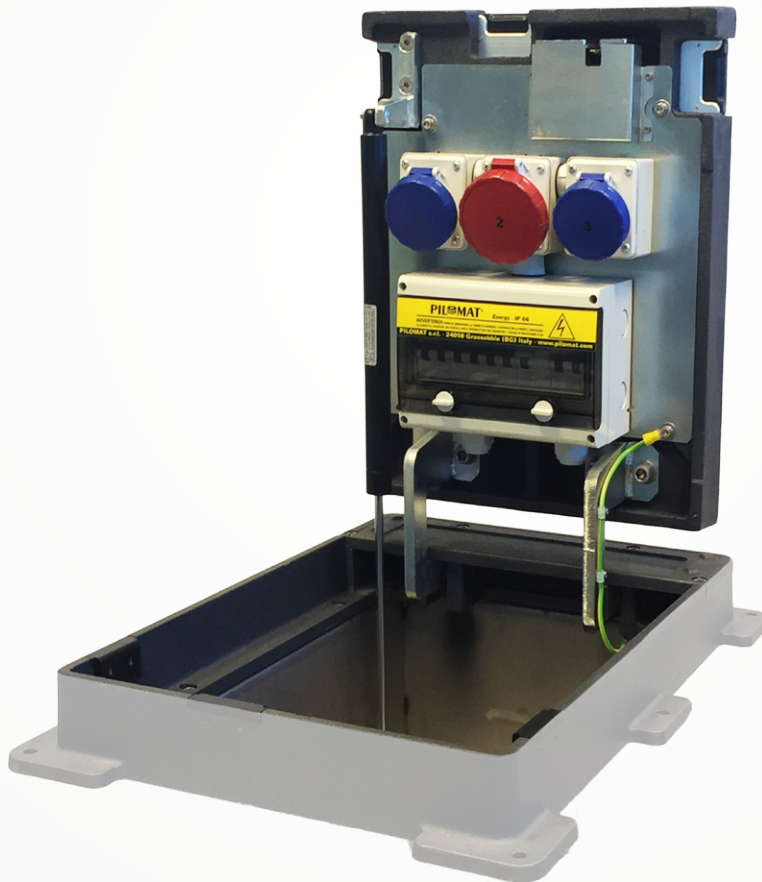


## ENERGY TOWER

The semiautomatic PILOMAT ENERGY LONDON 6040 towers are designed to provide complementary services such as electricity and telephone communications, compressed air and water. They are used in those places typically used for parking or pedestrian areas, and sometimes used as market areas and places for events, concerts and similar. The use of PILOMAT ENERGY LONDON 6040 prevents the laying of cables and tubes, guaranteeing greater security for its users. Current models are the result of the dedication of more than 40 years in the field of access control, and a twenty-year specialization in bollards.

### GENERAL FEATURES

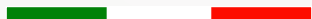
The PILOMAT ENERGY LONDON towers, with semiautomatic movement, allow for multiple installations of single-phase and/or three-phase 16A and 32A in accordance with EN 60301-1 EN 60301-2 regulations and related protective circuit breakers. The driveway coverplate at the top of the moving tower is compliant with UNI EN 124 regulations with load class D400.



PAG.1/2



100% MADE IN ITALY



PILOMAT s.r.l.  
www.pilomat.com / pilomat@pilomat.com  
Via Zanica 17/p, 24050, Grassobbio (BG) Italy  
Tel. +39.035.29.72.20  
Copyright 2016© Pilomat S.r.l. All rights reserved

LONDON6040\_DATASHEET.16 REVIEW 05/05/2016

## OPTIONAL ITEMS

PILOMAT ENERGY LONDON 6040SA

PIT IN AISI304 STAINLESS STEEL FOR PILOMAT ENERGY TOWER LONDON 6040

KIT 5 STANDARD KEYS FOR PILOMAT LONDON

TELEPHONE CONFIGURATION RJ45 IN HOUSING IP55 - CONNECTION LINE LENGTH 3m

WATER CONFIGURATION - WATER TAP WITH QUICK CONNECTION - FLEXIBLE TUBE LENGTH 3m

COMPRESSED AIR TAP WITH QUICK CONNECTION - FLEXIBLE TUBE LENGTH 3m

SOCKET IEC309 230V 16A 2P+T - IP 66 WITH MAGNETOTHERMIC SWITCH 1P+N 16A 6KA

SOCKET INTERBLOCC IEC309 230V 16A 2P+T - IP 66 WITH MAGNETOTHERMIC SWITCH 1P+N 16A 6KA

SOCKET INTERBLOCC IEC309 230V 16A 2P+T - IP 66 WITH MAGNETOTHERMIC SWITCH 1P+N 16A 6KA

SOCKET INTERBLOCC IEC309 230V 32A 2P+T - IP 66 WITH MAGNETOTHERMIC SWITCH 1P+N 32A 6KA

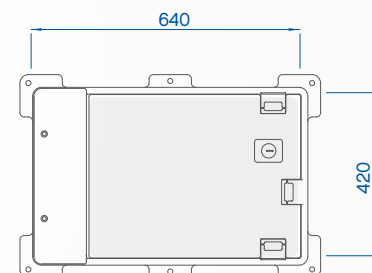
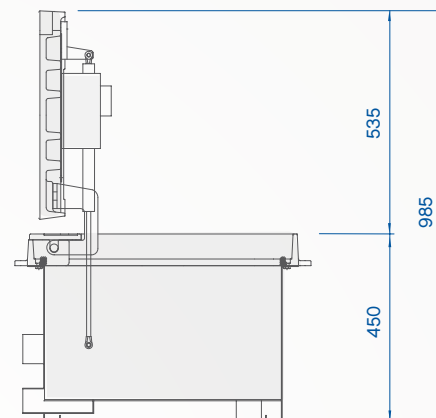
SOCKET IEC309 400V 16A 3P+N+T - IP 66 WITH MAGNETOTHERMIC SWITCH 4P 16A 6KA

SOCKET INTERBLOCC IEC309 400V 16A 3P+N+T - IP 66 WITH MAGNETOTHERMIC SWITCH 4P 16A 6KA

SOCKET INTERBLOCC IEC309 400V 32A 3P+N+T - IP 66 WITH MAGNETOTHERMIC SWITCH 4P 32A 6KA

BASIC CONFIGURATION 30KW WITH GENERAL DIFFERENTIAL SWITCH 4p 40A 30mA IN HOUSING IP66 - 5G6 CABLE, LENGTH 3m

BASIC CONFIGURATION 40KW WITH GENERAL DIFFERENTIAL SWITCH 4p 63A 30mA IN HOUSING IP66 - 5G10 CABLE, LENGTH 3m



MOVING TOWER	PEARLITIC IRON
MOVING TOWER DIMENSION	700x480x450mm
MOVING TOWER HEIGHT	535mm
MOVING TOWER FINISH	POLYESTER POWDER PAINT - STANDARD YELLOW
CONNECTION LINE OUT OF THE TOWER	STANDARD 3m
PROTECTION CLASS OF ELECTRIC COMPONENTS	IP66
LOAD CLASS	D400
POSSIBILITY OF FILLABLE COVERPLATE	NO