

Litter Bin "Campus 3"

Ref. J298 105B

Street Furniture
Classical Range

Sineu Graff : Intelligent Design
for the town of tomorrow



➤ Presentation

The Campus 3 litter bin is part of a classic range of litter bins. The originality of this piece of street furniture lies in the combination of steel and wood. This furniture has been designed and manufactured by Sineu Graff, experts in urban landscaping, in accordance with a sustainable development approach.

➤ Description

The bin has wooden cladding, a body with upper and lower rails in 3mm thick painted galvanized steel, an intermediate ring in 1.5mm thick painted galvanized steel, a base in 4mm thick painted galvanized steel, a lid in 2.5mm thick painted galvanized steel and a galvanized steel bucket.

After the application of a flow coat, the wood is coated with solvent-free water-based emulsion stain.

The wood used is certified and sourced from well-managed forests.

Steel parts are zinc plated, then they undergo our powder blast process (after cleaning and shot blasting, they are coated with a first coat of epoxy powder, and then with a second coat of polyester powder).

The lid is assembled onto the body by means of a pin on hinges.

The wooden slats are fastened to the body using screws.

The base is fastened to the upper rail of the body by screws.

Closing is automatic, while opening is done via a triangular key.

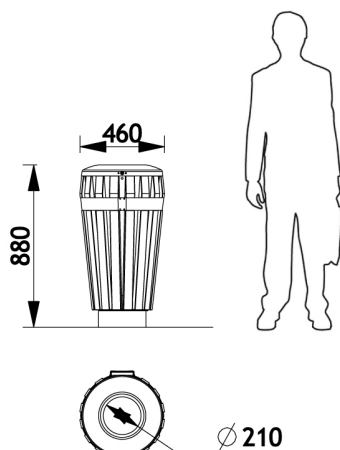
3 anchoring points, Ø14mm.

Capacity: 60 litres.

Delivered assembled.

Weight: 36kg.

➤ Dimensions



➤ Colours

Colours shown:

Wood: Natural shade

Metal parts: Copper

Colours to select from RAL (satin) or AKZO NOBEL (sand) charts.



LAUD
PRODUKTER

Møblering av offentlig rom



Street Furniture



SINEU GRAFF partner in Norway :
Laud Produkter AS

Salg: Rosenkrantz gt 15, 0160 Oslo

Administrasjon: Pb. 2, 4951 Risør

Org.nr: 911933500 - Telefon: 21904020

SINEU GRAFF info@sineugraff.com - www.sineugraff.com