

Bicycle guard

Ref. 43 013X

Street Furniture
Contemporary Range

Sineu Graff : Intelligent Design
for the town of tomorrow



➤ Presentation

Bicycle guards promote the use of bicycles in a city. This piece of equipment has been designed and developed using an eco-conception approach specific to SINEU GRAFF, and is characterised by its clean lines.

The design of the bicycle guard has been optimised so as to minimise the use of raw materials and energy during manufacturing.

This furniture has been designed and manufactured by Sineu Graff, experts in urban landscaping, in accordance with a sustainable development approach.

➤ Description

The bicycle guard is made up of a frame in painted galvanized steel with an oval profile and a 50x40mm section, 2 mm thick.

The anchoring plate is 8mm thick.

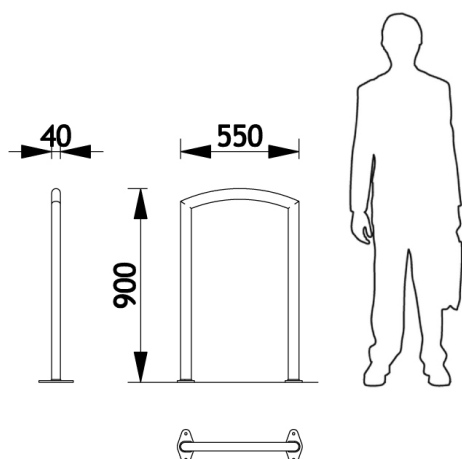
Steel parts are zinc plated, then they undergo our powder blast process (after cleaning and shot blasting, they are coated with a first coat of epoxy powder, and then with a second coat of polyester powder).

4 anchoring points (Ø 11 mm) for the plate mounted version.

Weight: 6kg.

Delivered assembled.

➤ Dimensions



➤ Colours

Colour shown:

Bicycle guard: Sand grey 900

Colours to select from RAL (satin) or AKZO NOBEL (sand) charts.



LAUD
PRODUKTER

Møblering av offentlig rom



Street Furniture



SINEU GRAFF partner in Norway :

Laud Produkter AS

Salg: Rosenkrantz gt 15, 0160 Oslo

Administrasjon: Pb. 2, 4951 Risør

Org.nr: 911933500 - Telefon: 21904020

SINEU GRAFF info@sineugraff.com - www.sineugraff.com