

Tree Guards

Ref. 42 5102

Street Furniture
Contemporary Serie

Sineu Graff : Intelligent Design
for the town of tomorrow



➤ Presentation

Tree guards support trees and protect them from damage and impacts, and have been designed especially to be harmonious with all urban settings, and can be used with all our series of tree grilles (2000, 3000 and 6000).

This furniture has been designed and manufactured by Sineu Graff, experts in urban landscaping, in accordance with a sustainable development approach.

➤ Description

The tree guard is made up of 2 half guards in painted galvanized steel, each comprising 2 2mm thick tubes with a diameter of 30mm and 6 4mm thick rails.

The diameter of the upper rail of the tree guard is 340mm and that of the lower rail is 530mm.

The plates for assembling the 2 half guards and for fastening them to the grille are in 5mm thick painted galvanized steel.

Steel parts are zinc plated, then they undergo our powder blast process (after cleaning and shot blasting, they are coated with a first coat of epoxy powder, and then with a second coat of polyester powder).

The 2 half guards are assembled using screws, nuts and black plastic nut covers.

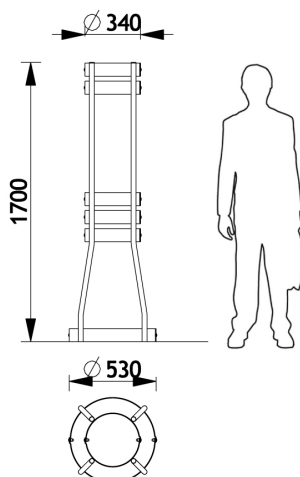
The tree guard is fastened to the grille with screws and nuts.

##RC## 4 fastening points.

Delivered unassembled.

Weight: 28kg.

➤ Dimensions



➤ Colours

Colour shown:

Tree guard: Sand black 100

Colours to select from RAL (satin) or AKZO NOBEL (sand) charts.



LAUD
PRODUKTER

Møblering av offentlig rom



Street Furniture



SINEU GRAFF partner in Norway :
Laud Produkter AS
Salg: Rosenkrantz gt 15, 0160 Oslo
Administrasjon: Pb. 2, 4951 Risør
Org.nr: 911933500 - Telefon: 21904020

SINEU GRAFF info@sineugraff.com - www.sineugraff.com