

# Tree Grilles Ovoïde

Ref. 42 350C51

Street Furniture  
Series 3000 Ellipses

Sineu Graff : Intelligent Design  
for the town of tomorrow



## ➤ Presentation

Series 3000/Ellipse steel tree grille with a square shape for the most contemporary spaces.

Ovoid steel tree grilles have been developed using an eco-conception approach; they have been studied and designed optimally to minimise the use of raw materials and the energy required for manufacturing them. Their originality lies in their oval opening.

To vary the motifs, this model is also available in rectangular shapes (1.80 x 1.50 m).

This furniture has been designed and manufactured by Sineu Graff, experts in urban landscaping, in accordance with a sustainable development approach.

## ➤ Description

The tree grille is made up of two half grilles and two half frames in 6mm thick painted galvanized S355 steel.

Steel parts are zinc plated, then they undergo our powder blast process (after cleaning and shot blasting, they are coated with a first coat of epoxy powder, and then with a second coat of polyester powder).

For compliance with PRM standards, the openings (holes and slots) in this tree grille are less than 20mm wide.

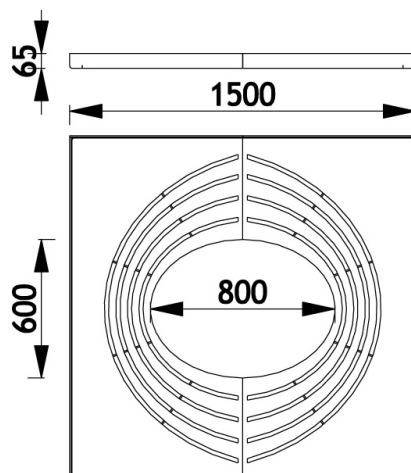
The half grilles are assembled using 6 M12 bolts.

Number of frame anchoring points: 12 (Ø 14mm holes).

Delivered unassembled.

Weight: 142kg.

## ➤ Dimensions



## ➤ Colours

Colour shown:

Grille and frame: Sand grey 150

Colours to select from RAL (satin) or AKZO NOBEL (sand) charts.



**LAUD**  
PRODUKTER

Møblering av offentlig rom



Street Furniture



**SINEU GRAFF partner in Norway :**

Laud Produkter AS

Salg: Rosenkrantz gt 15, 0160 Oslo

Administrasjon: Pb. 2, 4951 Risør

Org.nr: 911933500 - Telefon: 21904020

SINEU GRAFF info@sineugraff.com - www.sineugraff.com