

Tree Guards

Ref. 42 3000

Street Furniture
Contemporary Serie

Sineu Graff : Intelligent Design
for the town of tomorrow



➤ Presentation

Tree guards support trees and protect them from damage and impacts, and have been designed especially to be harmonious with all urban settings, and can be used with all our series of tree grilles (2000, 3000 and 6000).

This furniture has been designed and manufactured by Sineu Graff, experts in urban landscaping, in accordance with a sustainable development approach.

➤ Description

Tree guards are made up of 2 half guards made of 2mm thick painted galvanized steel tubes with a 30mm diameter and 4mm thick painted galvanized steel.

The opening diameter is 370mm.

Steel parts are zinc plated, then they undergo our powder blast process (after cleaning and shot blasting, they are coated with a first coat of epoxy powder, and then with a second coat of polyester powder).

The 2 half-guards are fastened with 10 M8 bolts.

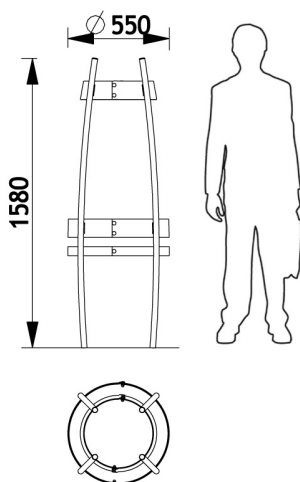
The tree guard is fastened to the grille with 4 fastening brackets.

##RC## 4 fastening points.

Delivered unassembled.

Weight: 22kg.

➤ Dimensions



➤ Colours

Colour shown:

Tree guard: Sand black 100

Colours to select from RAL (satin) or AKZO NOBEL (sand) charts.



LAUD
PRODUKTER

Møblering av offentlig rom



Street Furniture



SINEU GRAFF
FRANCE

Tél. + 33 (0)3 88 58 74 58 · Fax + 33 (0)3 88 74 01 00
info@sineugraff.com - www.sineugraff.com