

# Barrier

Ref. 41 631X

Street Furniture  
Series 6000

Sineu Graff : Intelligent Design  
for the town of tomorrow



## ➤ Presentation

6000 Series barriers are characterised by their rounded metal profiles, where all sharp edges have been removed to make them safe for the urban environment.

This furniture has been designed and manufactured by Sineu Graff, experts in urban landscaping, in accordance with a sustainable development approach.

## ➤ Description

The barrier is made up of vertical uprights made of 2mm thick tubes with a 60mm diameter, horizontal rails made of 2mm thick oval tubes with a 60x30mm section, a motif made of 2mm thick tubes with a 30 and 14mm diameter and 2 6mm thick plates with a 100mm diameter.

The anchoring plates are 8mm thick.

Steel parts are zinc plated, then they undergo our powder blast process (after cleaning and shot blasting, they are coated with a first coat of epoxy powder, and then with a second coat of polyester powder).

4 anchoring points (plate mounted version).

Delivered assembled.

Weight: 23kg.

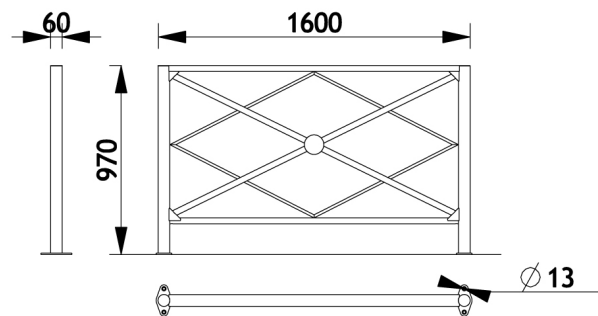
## ➤ Colours

Colour shown:

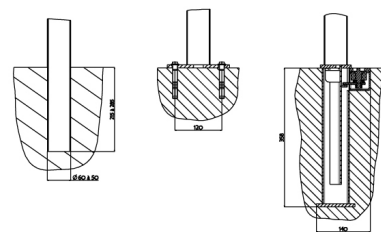
Barrier: Metallic grey 7100

Colours to select from RAL (satin) or AKZO NOBEL (sand) charts.

## ➤ Dimensions



## ➤ Fixings device



Fixing type A

Fixing type B

Fixing type C



**LAUD**  
PRODUKTER

Møblering av offentlig rom



Street Furniture



**SINEU GRAFF partner in Norway :**  
Laud Produkter AS

Salg: Rosenkrantz gt 15, 0160 Oslo

Administrasjon: Pb. 2, 4951 Risør

Org.nr: 911933500 - Telefon: 21904020

SINEU GRAFF info@sineugraff.com - www.sineugraff.com