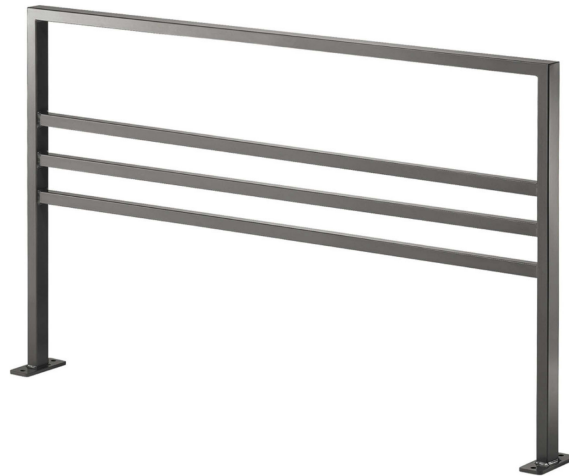


Barrier

Ref. 41 331X

Street Furniture
Series 3000

Sineu Graff : Intelligent Design
for the town of tomorrow



➤ Presentation

Series 3000 barriers are marked by their contemporary design for a graceful street furniture range with clean lines.

This furniture has been designed and manufactured by Sineu Graff, experts in urban landscaping, in accordance with a sustainable development approach.

➤ Description

The painted galvanized steel barrier is made up of 2mm thick rectangular perimeter tubes with a 50x30mm section, filled with 2mm thick square tubes with a 30x30mm section.

The anchoring plates are 8mm thick.

Steel parts are zinc plated, then they undergo our powder blast process (after cleaning and shot blasting, they are coated with a first coat of epoxy powder, and then with a second coat of polyester powder).

4 anchoring points (plate mounted version).

Delivered assembled.

Weight: 16 kg (fixed anchor), 16 kg (plate anchor) or 24 kg (removable anchor).

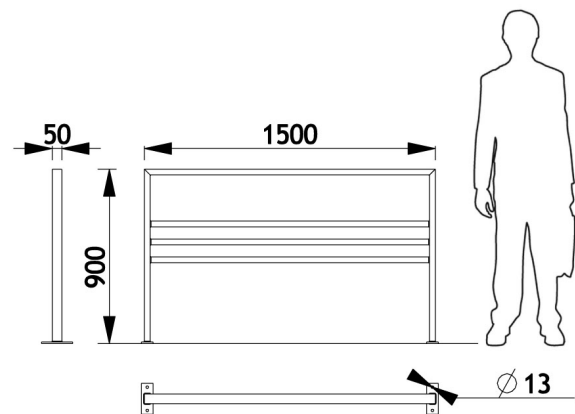
➤ Colours

Colour shown:

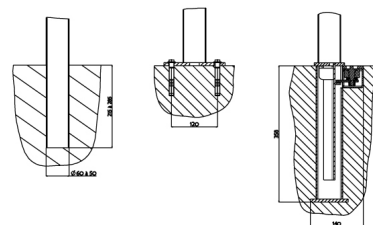
Metallic grey 7100

Colours to select from RAL (satin) or AKZO NOBEL (sand) charts.

➤ Dimensions



➤ Fixings device



Fixing type A

Fixing type B

Fixing type C



LAUD
PRODUKTER

Møblering av offentlig rom



Street Furniture



SINEU GRAFF partner in Norway :
Laud Produkter AS
Salg: Rosenkrantz gt 15, 0160 Oslo
Administrasjon: Pb. 2, 4951 Risør
Org.nr: 911933500 - Telefon: 21904020

SINEU GRAFF info@sineugraff.com - www.sineugraff.com