

Marquise planter

Ref. 299 685

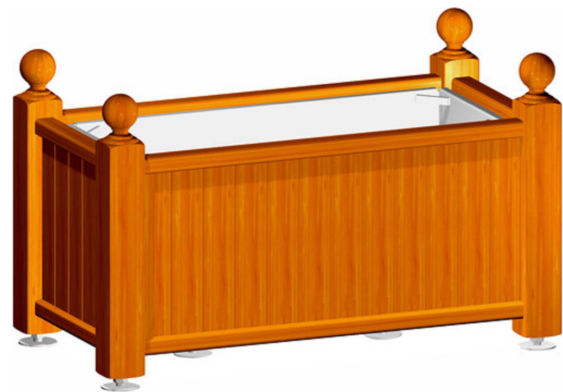
Street Furniture
Marquise Range

Sineu Graff : Intelligent Design
for the town of tomorrow

► Presentation

The Marquise planter is made entirely of solid wood. The Marquise planter is ideal for public gardens and city parks. The warm honey-coloured wood gives this planter a classic and refined appearance, so that it can tone in with old city centres and architectures with a high historic value.

This furniture has been designed and manufactured by Sineu Graff, experts in urban landscaping, in accordance with a sustainable development approach.



► Description

The Marquise planter is made up of:

- 4 wooden posts with a 100x100mm section
- 4 M22 stainless steel adjustable feet
- 1 bottom plate in galvanised steel to support the box with a central M22 stainless steel adjustable foot
- 4 wooden panels with a 105x20mm section (intermediate and far right vertical slats) and 85x20mm section (far left vertical slats)
- 8 painted galvanized steel plates for assembling the panels
- 4 U-shaped wooden cross members with a 45x58mm section for fastening the panels
- 1 fixed handling planting box.

After the application of a flow coat, the wood is coated with solvent-free water-based emulsion stain. The wood used is certified and sourced from well-managed forests.

Steel parts are zinc plated, then they undergo our powder blast process (after cleaning and shot blasting, they are coated with a first coat of epoxy powder, and then with a second coat of polyester powder).

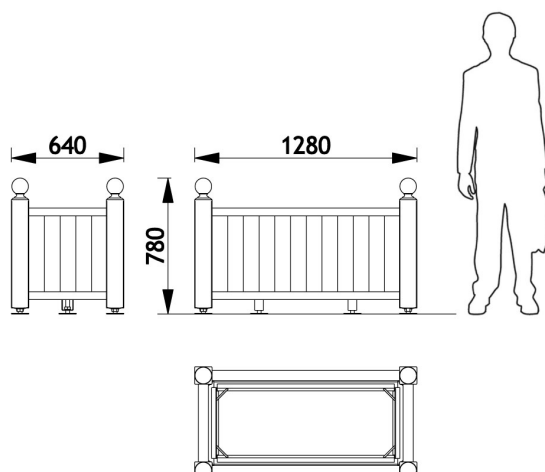
All our planters are compatible with the Sineu Flor system.

Capacity: 200 litres, including 50-litre reserve.

Weight of planter alone: 87 kg.

Delivered assembled.

► Dimensions



► Colours

Colour shown:

Wood: Natural shade

Colours to select from RAL (satin) or AKZO NOBEL (sand) charts.



LAUD
PRODUKTER

Møblering av offentlig rom



Street Furniture



SINEU GRAFF partner in Norway :
Laud Produkter AS
Salg: Rosenkrantz gt 15, 0160 Oslo
Administrasjon: Pb. 2, 4951 Risør
Org.nr: 911933500 - Telefon: 21904020

SINEU GRAFF info@sineugraff.com - www.sineugraff.com