

# Rendez-Vous planter

Ref. 299 678

Street Furniture  
Rendez-Vous Range

Sineu Graff : Intelligent Design  
for the town of tomorrow

## ➤ Presentation

The Rendezvous planter owes its originality to its geometric shapes. This piece of street furniture is made by carefully assembling wooden planks onto a steel framework. The Rendezvous planter is ideal in city centres or in squares with little vegetation, to highlight plants and shrubs, singly or in lines.

This furniture has been designed and manufactured by Sineu Graff, experts in urban landscaping, in accordance with a sustainable development approach.

## ➤ Description

The Rendezvous planter is made up of:

- 1 frame made up of 4 L-shaped corner posts in 4mm thick painted galvanized steel with a 70x70mm section, 8 cross members in 2.5mm thick painted galvanized steel with a 50x25mm section, and 4 M22 stainless steel adjustable feet.
- 1 large panel with 1 wooden plank with a 101x20mm section, 8 wooden planks with a 105x20mm section, 1 wooden plank with a 94x20mm section, 1 wooden plank with a 86x20mm section, 2 U-shaped cross members in 3mm thick painted galvanized steel with a 72x29mm section, 1 U-shaped angle iron as the corner finishing piece in 4mm thick painted galvanized steel with a 80x20 mm section
- 2 medium panels, each comprising 1 wooden plank with a 94x20mm section, 7 wooden planks with a 105x20mm section, 1 wooden plank with a 85x20mm section, 2 U-shaped cross members in 3mm thick painted galvanized steel with a 66x20mm section
- 1 small panel comprising 1 wooden plank with a 67x20mm section, 7 wooden planks with a 105x20mm section, 1 wooden plank with a 85x20mm section, 2 U-shaped cross members in 3mm thick painted galvanized steel with a 66x20mm section
- 1 bottom plate in 3mm thick galvanized steel
- 3 L-shaped finishing irons in 3mm thick painted galvanized steel with a 50x50mm section
- 1 perimeter finishing top piece in 4mm painted galvanized steel
- 1 fixed galvanized steel box.

Steel parts are zinc plated, then they undergo our powder blast process (after cleaning and shot blasting, they are coated with a first coat of epoxy powder, and then with a second coat of polyester powder).

After the application of a flow coat, the wood is coated with solvent-free water-based emulsion stain.

The wood used is certified and sourced from well-managed forests.

The planter has removable panels and its fasteners are concealed.

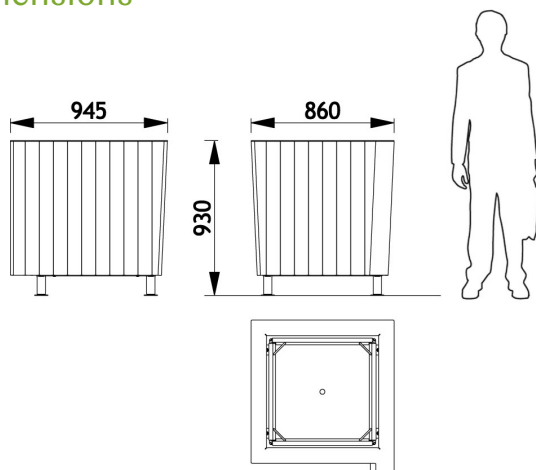
All our planters are compatible with the Sineu Flor system.

Capacity: 190 litres, including 36.5-litre reserve.

Weight of planter: 130 kg.

Delivered assembled.

## ➤ Dimensions



## ➤ Colours

Colours shown:

Wood: Natural shade

Framework: Grey 900 sable

Colours to select from RAL (satin) or AKZO NOBEL (sand) charts.



**LAUD**  
PRODUKTER

Møblering av offentlig rom



Street Furniture

**SINEU GRAFF partner in Norway :**  
Laud Produkter AS

Salg: Rosenkrantz gt 15, 0160 Oslo

Administrasjon: Pb. 2, 4951 Risør

Org.nr: 911933500 - Telefon: 21904020

SINEU GRAFF info@sineugraff.com - www.sineugraff.com

