

Domino planter

Ref. 299 570

Street Furniture
Domino Range

Sineu Graff : Intelligent Design
for the town of tomorrow

➤ Presentation

The Domino planter has been designed to be in harmony with the most contemporary outdoor settings and is characterised by a design that combines wood, metal and colour. The cladding panels of the Domino planter are assembled on corner posts, creating an effect of wood clasped between two sheets of steel. This piece of street furniture owes its stylish appearance to the steel walls, which offer a wide variety of motifs that are picked out by another contrasting background plate.

This furniture has been designed and manufactured by Sineu Graff, experts in urban landscaping, in accordance with a sustainable development approach.

➤ Description

The Domino planter has 4 wooden corner posts with a 100x100mm section, four M22 adjustable feet in stainless steel, 4 box supports in 6mm thick painted galvanized steel, 4 cladding panels in 3mm thick painted galvanized steel, 4 decorative plates in 1.5mm thick painted galvanized steel and a fixed handling planting box.

The cladding panels have a geometric motif made by laser cutting, and are assembled on the posts with stainless steel fasteners. The planting box is held by the frame and rests directly on the supports fixed to each post.

After the application of a flow coat, the wood is coated with solvent-free water-based emulsion stain.

The wood used is certified and sourced from well-managed forests.

Steel parts are zinc plated, then they undergo our powder blast process (after cleaning and shot blasting, they are coated with a first coat of epoxy powder, and then with a second coat of polyester powder).

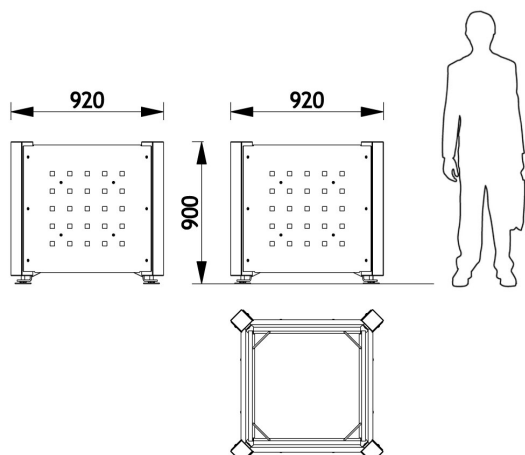
All our planters are compatible with the Sineu Flor system.

Capacity: 350 litres, including 80-litre reserve.

Weight of planter alone: 121 kg.

Delivered assembled.

➤ Dimensions



➤ Colours

Colours shown:

Wood: Natural shade

Cladding panels: RAL 7005 Mouse grey

Plates: RAL 1023 Traffic yellow

Colours to select from RAL (satin) or AKZO NOBEL (sand) charts.



LAUD
PRODUKTER

Møblering av offentlig rom



Street Furniture



SINEU GRAFF partner in Norway :

Laud Produkter AS

Salg: Rosenkrantz gt 15, 0160 Oslo

Administrasjon: Pb. 2, 4951 Risør

Org.nr: 911933500 - Telefon: 21904020

SINEU GRAFF info@sineugraff.com - www.sineugraff.com