

Optima planter

Ref. 299 532

Street Furniture
Optima Range

Sineu Graff : Intelligent Design
for the town of tomorrow

► Presentation

The Optima planter is made of wood and has been eco-designed to require a smaller number of steel and wooden parts.

An optimised planter, which is elegant and simple, and plays on materials and textures.

This piece of street furniture is designed to be in harmony with all types of architecture and is distinguished by its high quality and precise assembly.

This furniture has been designed and manufactured by Sineu Graff, experts in urban landscaping, in accordance with a sustainable development approach.

► Description

The planter is made up of:

- 4 posts (section 50x50mm, 3mm thick) in painted galvanized steel
- 4 M22 stainless steel adjustable feet
- 4 U-shaped upper angle irons (section 19x50mm, 4mm thick) in painted galvanized steel
- 4 U-shaped lower angle irons (section 38x56mm, 4mm thick)
- 4 panels, each made of 5 wooden slats (section 160x35mm) and two U-shaped slat supports (section 40x9mm, 3mm thick) in painted galvanized steel
- 1 bottom plate 4mm thick in galvanised steel
- 1 fixed handling planting box.

After the application of a flow coat, the wood is coated with solvent-free water-based emulsion stain.

The wood used is certified and sourced from well-managed forests.

Steel parts are zinc plated, then they undergo our powder blast process (after cleaning and shot blasting, they are coated with a first coat of epoxy powder, and then with a second coat of polyester powder).

The planter panels are fixed from the inside using wooden inserts with no visible fasteners.

All our planters are compatible with the Sineu Flor system.

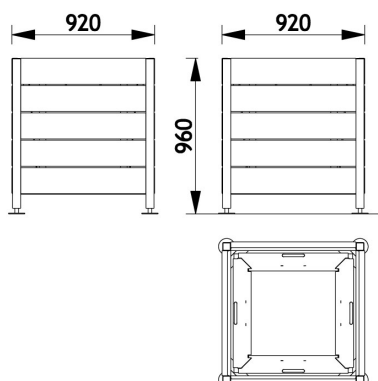
Capacity: 350 litres, including 80-litre reserve.

Weight of planter alone: 113 kg.

Delivered assembled.



► Dimensions



► Colours

Colours shown:

Wood: Natural shade

Framework: Grey 900 sable

Colours to select from RAL (satin) or AKZO NOBEL (sand) charts.



LAUD
PRODUKTER

Møblering av offentlig rom



Street Furniture

SINEU GRAFF partner in Norway :
Laud Produkter AS

Salg: Rosenkrantz gt 15, 0160 Oslo

Administrasjon: Pb. 2, 4951 Risør

Org.nr: 911933500 - Telefon: 21904020

SINEU GRAFF info@sineugraff.com - www.sineugraff.com

