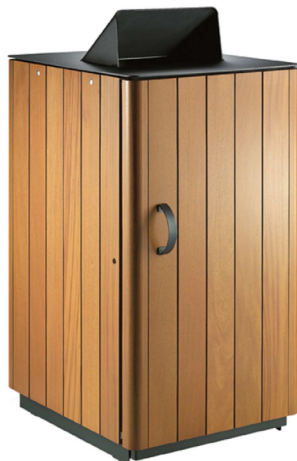


Litter Bin

Ref. 28 0593

Street Furniture
Classical Range

Sineu Graff : Intelligent Design
for the town of tomorrow



➤ Presentation

The container shelter from the Classic range has wooden cladding for a natural and warm appearance. This piece of street furniture will shelter the container and will be at home in all your urban parks and spaces.

This furniture has been designed and manufactured by Sineu Graff, experts in urban landscaping, in accordance with a sustainable development approach.

➤ Description

The container shelter has wooden cladding, a framework and a painted galvanized steel lid.

After the application of a flow coat, the wood is coated with solvent-free water-based emulsion stain.

The wood used is certified and sourced from well-managed forests.

Steel parts are zinc plated, then they undergo our powder blast process (after cleaning and shot blasting, they are coated with a first coat of epoxy powder, and then with a second coat of polyester powder).

Closing is automatic, while opening is done via a triangular key.

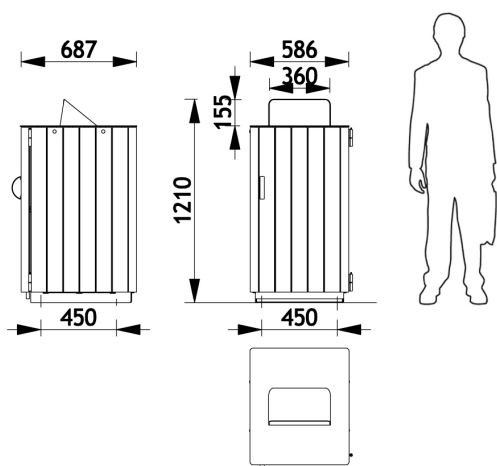
4 anchoring points.

Capacity: 120 litres.

Delivered assembled.

Weight: 107kg.

➤ Dimensions



LAUD
PRODUKTER

Møblering av offentlig rom



Street Furniture



SINEU GRAFF partner in Norway :

Laud Produkter AS

Salg: Rosenkrantz gt 15, 0160 Oslo

Administrasjon: Pb. 2, 4951 Risør

Org.nr: 911933500 - Telefon: 21904020

SINEU GRAFF info@sineugraff.com - www.sineugraff.com