

Litter Bin

Ref. 23 0581

Street Furniture
Rustic Range

Sineu Graff : Intelligent Design
for the town of tomorrow



➤ Presentation

This litter bin from the Rustic range is made of solid soft wood.

The natural appearance of these pieces make them perfect for natural spaces (woods, parks etc.).

This furniture has been designed and manufactured by Sineu Graff, experts in urban landscaping, in accordance with a sustainable development approach.

➤ Description

This square litter bin has a body made up of wooden slats with a 40x165mm section, high and intermediate rails in painted galvanized steel, a base, a door, a lid with a handle and a painted galvanized steel liner holder.

The wooden slats of the body of the bin are 40mm thick and salt treated.

The wood used is certified and sourced from well-managed forests.

Steel parts are zinc plated, then they undergo our powder blast process (after cleaning and shot blasting, they are coated with a first coat of epoxy powder, and then with a second coat of polyester powder).

The liner holder of the bin is articulated and fastened to the body with screws.

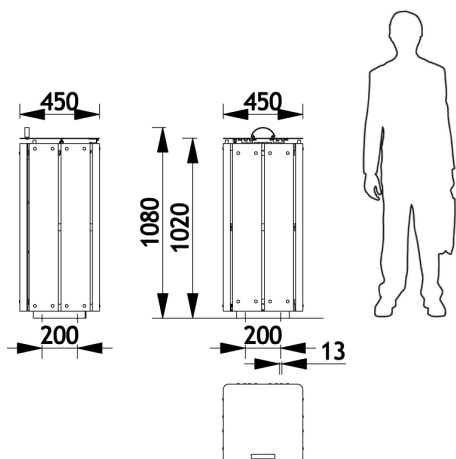
4 anchoring points.

Capacity: 120 litres.

Delivered assembled.

Weight: 48kg.

➤ Dimensions



LAUD
PRODUKTER

Møblering av offentlig rom



Street Furniture



SINEU GRAFF partner in Norway :

Laud Produkter AS

Salg: Rosenkrantz gt 15, 0160 Oslo

Administrasjon: Pb. 2, 4951 Risør

Org.nr: 911933500 - Telefon: 21904020

SINEU GRAFF info@sineugraff.com - www.sineugraff.com