

# Litter Bin "Rendez-vous"

Ref. 20 0800

Street Furniture  
Classical Range

Sineu Graff : Intelligent Design  
for the town of tomorrow



## ➤ Presentation

This Rendezvous litter bin is round in shape and has wooden cladding for a natural and warm appearance. This item will be in perfect harmony with our Rendezvous range of seating furniture.

This furniture has been designed and manufactured by Sineu Graff, experts in urban landscaping, in accordance with a sustainable development approach.

## ➤ Description

The body of the bin is made up of 2 upper and lower rails in 3mm thick painted galvanized steel with wooden cladding.

The base of the bin is made of 4mm thick painted galvanized steel.

The lid of the bin is made of 5mm thick cast aluminium.

The bin has a stainless steel bucket.

After the application of a flow coat, the wood is coated with solvent-free water-based emulsion stain.

The wood used is certified and sourced from well-managed forests.

Cast aluminium parts are produced in a foundry located close to our factory in France and are treated using our powder blast process (after cleaning and shot blasting, the parts are coated with a first coat of epoxy powder, and then with a second coat of polyester powder).

The bin lid is mounted on a hinged pin.

The wooden slats are fastened to the body of the bin using screws.

Closing is automatic, while opening is done via a triangular key.

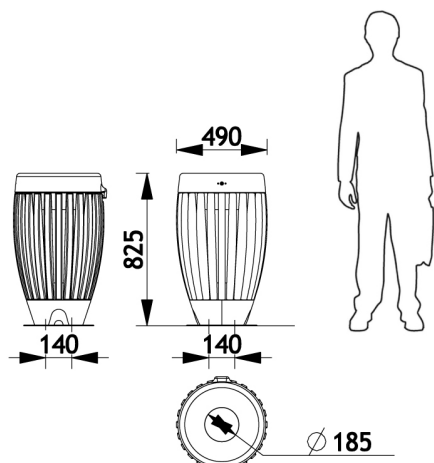
4 anchoring points (Ø13mm).

Capacity: 55 litres.

Delivered assembled.

Weight: 37kg.

## ➤ Dimensions



**LAUD**  
PRODUKTER

Møblering av offentlig rom



Street Furniture



**SINEU GRAFF partner in Norway :**  
Laud Produkter AS  
Salg: Rosenkrantz gt 15, 0160 Oslo  
Administrasjon: Pb. 2, 4951 Risør  
Org.nr: 911933500 - Telefon: 21904020

SINEU GRAFF info@sineugraff.com - www.sineugraff.com