

Litter bin

Ref. 20 0735N POFR PS

Street Furniture
Contemporary Range

Sineu Graff : Intelligent Design
for the town of tomorrow



➤ Presentation

Contemporary litter bins are part of a complete range of street furniture in perforated metal, made entirely of steel. This model has a slanted lid. This furniture has been designed and manufactured by Sineu Graff, experts in urban landscaping, in accordance with a sustainable development approach.

➤ Description

This bin is made up of a body and a door in perforated 3mm thick painted galvanized steel, a 5mm thick slanted lid in painted galvanized steel and an articulated liner holder.

Steel parts are zinc plated, then they undergo our powder blast process (after cleaning and shot blasting, they are coated with a first coat of epoxy powder, and then with a second coat of polyester powder).

The assembly of the lid of the litter bin on the body is effected by means of screws. The liner holder is attached by screws.

Lid closure is buffered by 2 rubber stops.

The base is coated with a protective plastic base.

Closing is automatic, while opening is done via a triangular key.

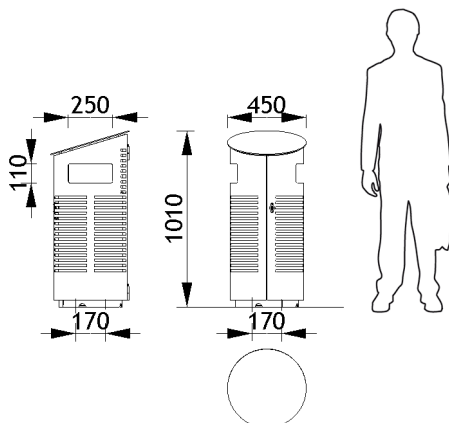
Capacity: 85 litres.

4 anchoring points(Ø17mm).

Delivered assembled.

Weight: 41kg.

➤ Dimensions



➤ Colours

Colour shown :

Lid and body : Textured anthracite grey 900

Colours to select from RAL (satin) or AKZO NOBEL (sand) charts.



Street Furniture

SINEU GRAFF
FRANCE

Tél. + 33 (0)3 88 58 74 58 · Fax + 33 (0)3 88 74 01 00
info@sineugraff.com - www.sineugraff.com