

Litter Bin

Ref. 20 0725N INX

Street Furniture
Contemporary Range

Sineu Graff : Intelligent Design
for the town of tomorrow



➤ Presentation

Contemporary litter bins are part of a complete range of street furniture in perforated metal, made entirely in stainless steel.

This furniture has been designed and manufactured by Sineu Graff, experts in urban landscaping, in accordance with a sustainable development approach.

➤ Description

The bin is entirely in 316L stainless steel and is made up of a body, a 3mm thick perforated door, a 5mm thick lid and a bucket.

After manufacturing, stainless steel is cleaned, electro-polished and passivated.

The bin lid is articulated by means of a hinged pin.

Closing is automatic, while opening is done via a triangular key.

Lid closure is buffered by 2 rubber stops.

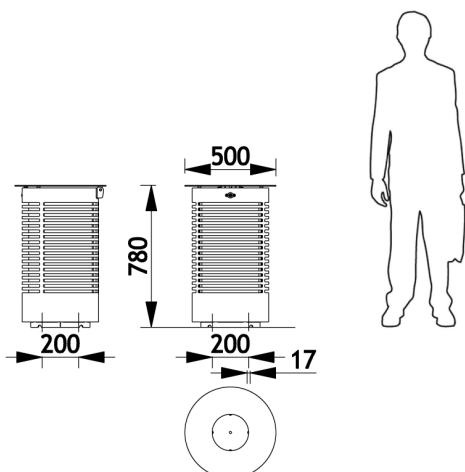
4 anchoring points.

Capacity: 70 litres.

Delivered assembled.

Weight: 34kg.

➤ Dimensions



LAUD
PRODUKTER

Møblering av offentlig rom



Street Furniture



SINEU GRAFF partner in Norway :

Laud Produkter AS

Salg: Rosenkrantz gt 15, 0160 Oslo

Administrasjon: Pb. 2, 4951 Risør

Org.nr: 911933500 - Telefon: 21904020

SINEU GRAFF info@sineugraff.com - www.sineugraff.com