

# Litter Bin

Ref. 20 0549 DIAM

Street Furniture  
Diamond Point Range

Sineu Graff : Intelligent Design  
for the town of tomorrow



## ➤ Presentation

Large-capacity Diamond Point litter bins are characterised by cladding with a diamond point motif for optimum strength. These very discreet pieces of street furniture will be at home in all your urban spaces.

This furniture has been designed and manufactured by Sineu Graff, experts in urban landscaping, in accordance with a sustainable development approach.

## ➤ Description

The litter bin is made up of a square body in 2.5mm thick painted galvanized steel with a diamond point motif, a fixed lid with a 4mm thick painted galvanized steel opening, a 4mm thick painted galvanized steel base and an inner bin in stainless steel.

Steel parts are zinc plated, then they undergo our powder blast process (after cleaning and shot blasting, they are coated with a first coat of epoxy powder, and then with a second coat of polyester powder).

The body of the bin is attached to the base by screws.

Closing is automatic, while opening is done via a triangular key.

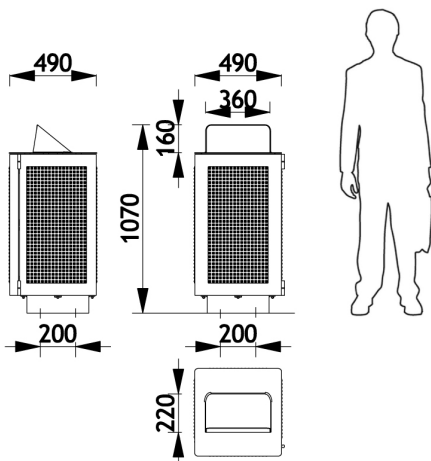
4 anchoring points (Ø13mm).

Capacity: 115 litres.

Delivered assembled.

Weight: 73kg.

## ➤ Dimensions



Street Furniture



SINEU GRAFF partner in Norway :  
Laud Produkter AS

Salg: Rosenkrantz gt 15, 0160 Oslo

Administrasjon: Pb. 2, 4951 Risør

Org.nr: 911933500 - Telefon: 21904020

SINEU GRAFF info@sineugraff.com - www.sineugraff.com