

# Litter Bin

Ref. 20 0531N

Street Furniture  
Current Range

Sineu Graff : Intelligent Design  
for the town of tomorrow



## ➤ Presentation

This litter bin with a perforated body is oblong in shape. This full steel piece of street furniture is strong and stylish, to add flair to your parks and public spaces.

This furniture has been designed and manufactured by Sineu Graff, experts in urban landscaping, in accordance with a sustainable development approach.

## ➤ Description

The litter bin is made up of an oblong body in 2.5mm thick perforated painted galvanized steel, a painted galvanized steel framework made up of 2 2.5mm thick triangular posts, a galvanized steel bucket and a triangular lock.

Plate anchored versions have 6mm thick painted galvanized steel anchoring plates.

Steel parts are zinc plated, then they undergo our powder blast process (after cleaning and shot blasting, they are coated with a first coat of epoxy powder, and then with a second coat of polyester powder).

Closing is automatic, while opening is done via a triangular key.

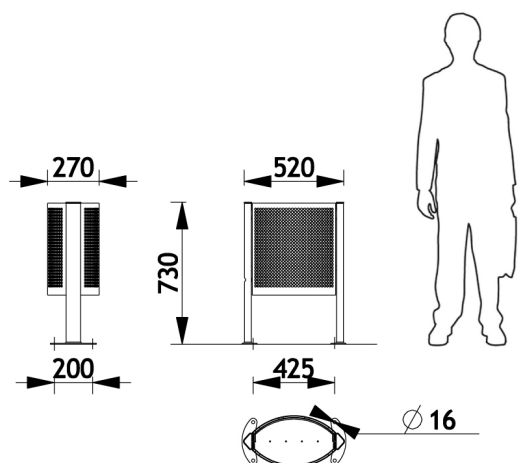
4 anchoring points.

Capacity: 34 litres.

Delivered assembled.

Weight: 20 kg.

## ➤ Dimensions



**LAUD**  
PRODUKTER

Møblering av offentlig rom



Street Furniture



**SINEU GRAFF partner in Norway :**  
Laud Produkter AS  
Salg: Rosenkrantz gt 15, 0160 Oslo  
Administrasjon: Pb. 2, 4951 Risør  
Org.nr: 911933500 - Telefon: 21904020

SINEU GRAFF info@sineugraff.com - www.sineugraff.com