

Victoria 3 places Seat

Ref. 10 0802

Street Furniture
Romantic Range

Sineu Graff : Intelligent Design
for the town of tomorrow



➤ Presentation

The Victoria seat will integrate subtly with your urban settings and parks to create a romantic and stylish environment.

This range of street furniture includes seats with 3 and 2 places, armchairs, benches and low tables.

This furniture has been designed and manufactured by Sineu Graff, experts in urban landscaping, in accordance with a sustainable development approach.

➤ Description

The seat is made up of a seat, a backrest and 2 wooden legs.

The seat leg has an armrest with a 90x33mm section, a rear slat with a 60x50mm section, a front slat with a 60x50mm section and a bar with a 45x22mm section.

The seat has a front cross member with an 84x33mm section, a front seat slat with a 75x33mm section (with the leg cut-out), 4 seat slats with 75x33mm section, 2 lower cross members with a 50x40mm section and a median reinforcement with a 25x33mm section.

The seat backrest has 2 backrest cross members with a 90x33mm section and 18 slats with an 84x40mm section.

After the application of a flow coat, the wood is coated with solvent-free water-based emulsion stain.

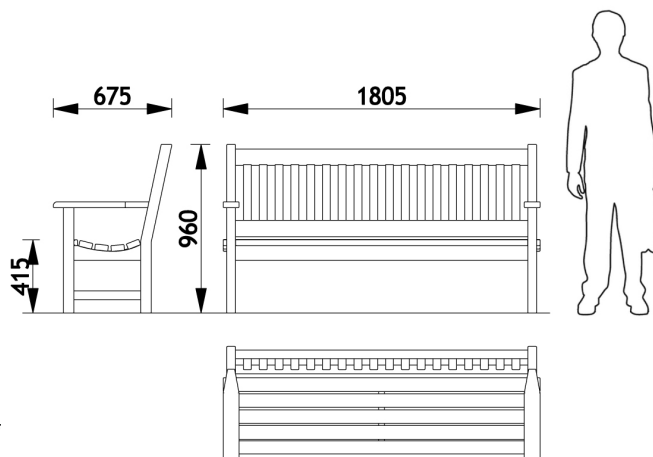
The seat is assembled with wood screws.

4 anchoring points.

Delivered assembled.

Weight: 46kg.

➤ Dimensions



➤ Colours

Colour shown:

Wood: Natural shade

Colours to select from RAL (satin) or AKZO NOBEL (sand) charts.



LAUD
PRODUKTER

Moblering av offentlig rom



Street Furniture

SINEU GRAFF partner in Norway :
Laud Produkter AS

Salg: Rosenkrantz gt 15, 0160 Oslo

Administrasjon: Pb. 2, 4951 Risør

Org.nr: 911933500 - Telefon: 21904020

SINEU GRAFF info@sineugraff.com - www.sineugraff.com



La marque de la
gestion forestière
responsable

Cette entreprise
a fait certifier sa
chaîne de contrôle.
pefc-france.org