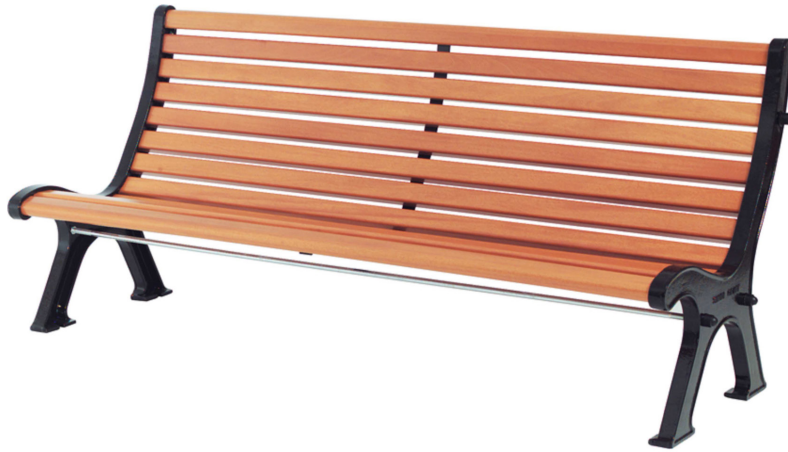


Royal 3 places Seat

Ref. 10 0050

Street Furniture
Classical Range

Sineu Graff : Intelligent Design
for the town of tomorrow



▣ Presentation

The Royal seat has a classic design. This piece of comfortable street furniture will integrate easily into your public spaces.

This furniture has been designed and manufactured by Sineu Graff, experts in urban landscaping, in accordance with a sustainable development approach.

▣ Description

The seating and backrest of the seat are made up of wooden slats with a 52x48mm section.

After the application of a flow coat, the wood is coated with solvent-free water-based emulsion stain.

The legs of the seat are in painted cast iron.

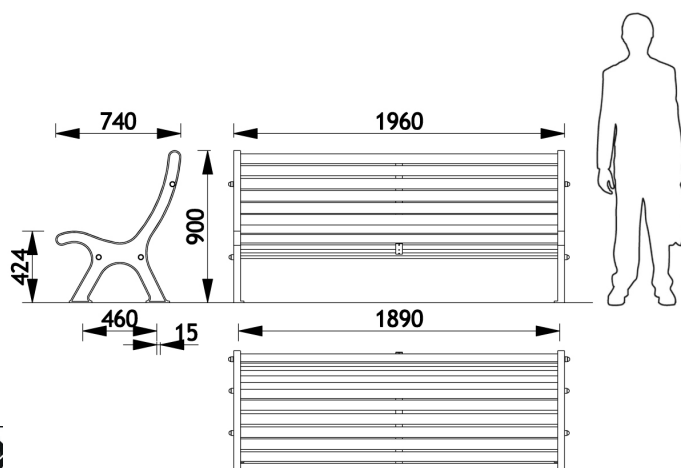
Cast-iron parts are produced in a foundry located close to our factory in France and are treated using our powder blast process (after cleaning and shot blasting, the parts are coated with a first coat of epoxy powder, and then with a second coat of polyester powder).

The slats of the seat are positioned on the legs thanks to recesses, and are fastened there with nuts and 3 M16 threaded spacers in zinc-plated steel. 4 anchoring points.

Delivered assembled.

Weight: 112kg.

▣ Dimensions



▣ Colours

Colours shown:

Wood: Natural shade

Leg: RAL 9017 Traffic black

Colours to select from RAL (satin) or AKZO NOBEL (sand) charts.



LAUD
PRODUKTER

Moblering av offentlig rom



Street Furniture

SINEU GRAFF partner in Norway :
Laud Produkter AS

Salg: Rosenkrantz gt 15, 0160 Oslo

Administrasjon: Pb. 2, 4951 Risør

Org.nr: 911933500 - Telefon: 21904020

SINEU GRAFF info@sineugraff.com - www.sineugraff.com



La marque de la
gestion forestière
responsable

Cette entreprise
a été certifiée au
niveau de contrôle
pefc-france.org