

RISE[®]



Smart
Moving



DOMUS

ROADSIDE TOTEM FOR URBAN AREAS



Made in Italy

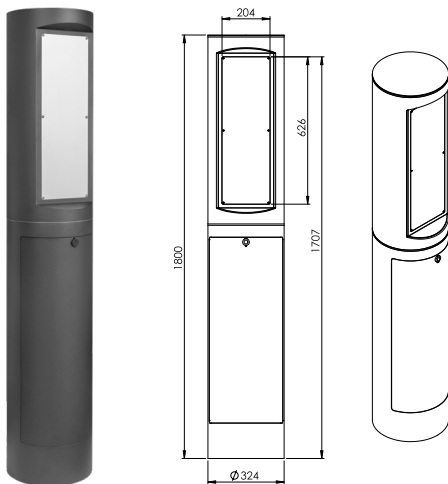


DOMUS

Roadside Totem

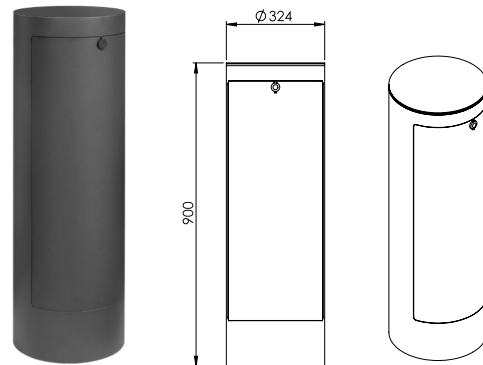


- DOMUS is a roadside totem designed for urban areas, suitable for housing control units and command devices for bollards
- Its internal capacity allows for the installation of two Rise bollard control units
- The cabinet can be made up of stacked modules
- Modules are constructed from S235JR steel with cathaphoresis treatment and painting
- An anodized aluminum panel measuring 626 x 204 mm is available for the installation of traffic lights, access control systems, and keypads
- Access to the control unit compartment is secured with a customized key lock
- The 6 mm cylinder thickness provides excellent impact resistance



DOMUS

Complete totem consisting of a DOMUS CP module for housing 2 control units and an upper module with an accessory panel.



DOMUS CP

Module for housing 2 bollard control units.

ACCESSORIES:



RT.TL

24 Vdc traffic light.



LED.TL

2 light 230 Vac LED traffic light.



TL2

2 light 24 Vdc LED traffic light.



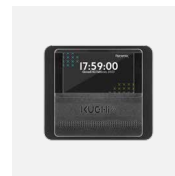
CP.BL

24 Vdc traffic-light control unit, buzzer, and LED lights.



EXP.E

RFID reader with Ethernet interface.



KU-EWN1

Terminal for access control and presence detection with Display.



RISE Srl

Sede legale: Via del Capitello, 45 - 36066 Sandrigo (VI) ITALIA

Sede operativa: Via della Tecnica, 10 - 36010 Velo d'Astico (VI) ITALIA

T +39 0444 751401 | C.F. / P.IVA (IT) 03482500240

info@riseweb.it | www.riseweb.it