

DESIGN BOLLARDS



FIXED DESIGN BOLLARD

With the fixed Design Bollards, sidewalks, pedestrian areas or public spaces can be easily separated from the rest of road traffic in an elegant and cheap way. They are mainly installed in a row so that they can be used to avoid parking or entering a certain area. The passage remains allowed for pedestrians or cyclists.

GENERAL FEATURES

- Design bollards in either the painted steel version or with an elegant stainless steel surface;
- 5 models and 3 different diameters for a harmonious design;
- Simple installation with embedding in concrete or with screw-on flange.



VERSION WITH
GROUND FITTING TO
SET IN CONCRETE



VERSION WITH
SCREW-ON FLANGE
(optional)



STRAIGHT COVER



CONCAVE COVER



CHAMFERED COVER



WIDE RING

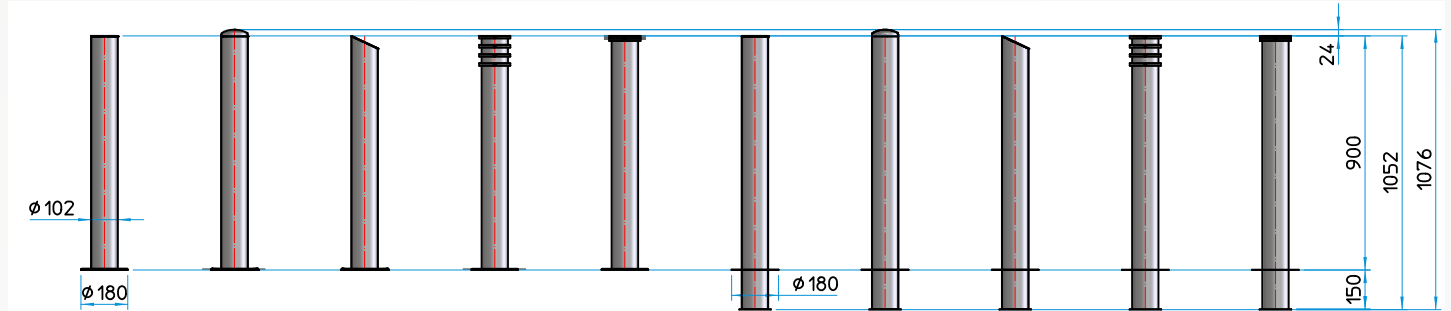


QUADRUPLE RING

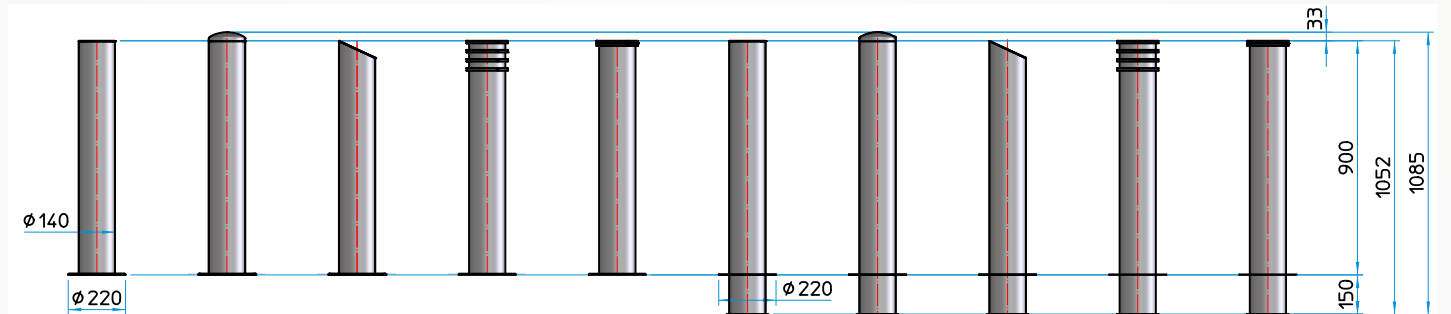
DESIGN BOLLARDS



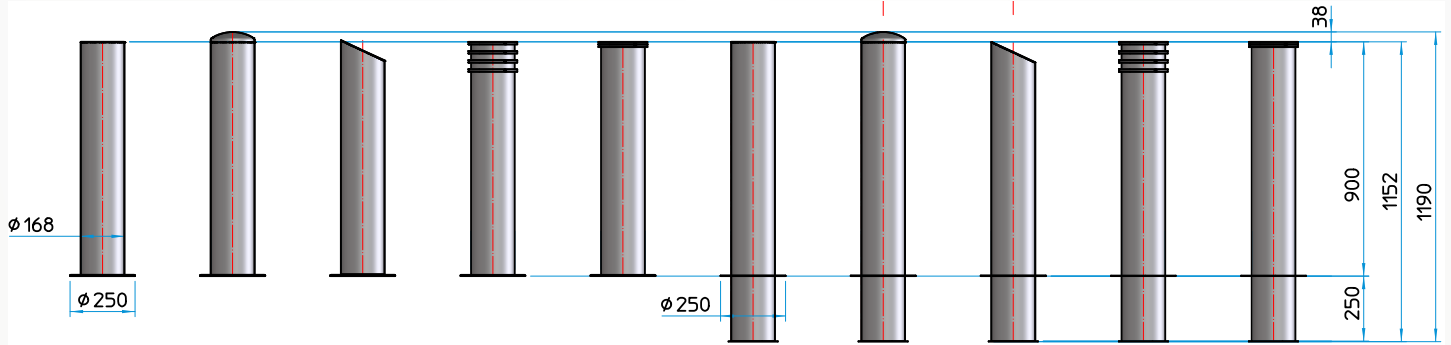
F 102-900



F 140-900



F 168-900



CYLINDER MATERIAL	S235JR STEEL - X5CrNi 18-10 (AISI 304) STAINLESS STEEL
CYLINDER DIAMETER	102mm - 140mm - 168mm
CYLINDER HEIGHT	900mm (optional up to 1200mm)
CYLINDER THICKNESS	2mm
CYLINDER FINISH (STEEL)	ANTI-CORROSION TREATMENT - GREY ANTHRACITE STANDARD PAINTING
CYLINDER FINISH (STAINLESS STEEL)	GREY ANTHRACITE STANDARD BRUSHING
FOUNDATION DEPTH (model for fitting in concrete)	150mm ($\phi 102 - 140$ mm) or 250mm ($\phi 168$ mm)
BREAKOUT RESISTANCE	200.000 J (only if equipped with reinforced cylinder and reinforced ground fitting)

NEW

DESIGN BOLLARDS

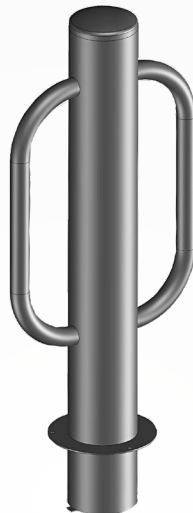


DESIGN BOLLARD FOR BICYCLE

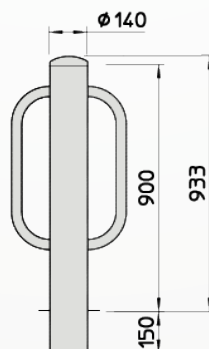
These fixed design bollards have been designed to be able to attach the lock to the bicycle.

GENERAL FEATURES

- Design bollards in either the painted steel version or with an elegant stainless steel brushed surface;
- Simple installation with embedding in concrete;
- Suitable for integration of installation with several design.



CYLINDER MATERIAL	S235JR STEEL - X5CrNi 18-10 (AISI 304) STAINLESS STEEL
CYLINDER DIAMETER	140mm
CYLINDER HEIGHT	900mm
CYLINDER THICKNESS	2mm
CYLINDER FINISH (STEEL)	ANTI-CORROSION TREATMENT - GREY ANTHRACITE STANDARD PAINTING
CYLINDER FINISH (STAINLESS STEEL)	BRUSHING
FOUNDATION DEPTH (model for fitting in concrete)	150mm



PAG.3/5

PILOMAT
HÖRMANN
100% MADE IN ITALY

PILOMAT s.r.l.
www.pilomat.com / pilomat@pilomat.com
Via Zanica 17/p, 24050, Grassobbio (BG) Italy
Tel. +39.035.29.72.20
Copyright 2023© Pilomat S.r.l. All rights reserved

REVIEW 04/04/2023

Information in this document is for reference only. In pursuit of its policy of continuous refinement and improvement, Pilomat reserves the right to amend this information at any time and without prior notice.
Picture shown is for illustration purpose only.

NEW

DESIGN BOLLARDS



REMOVABLE DESIGN BOLLARD

With the removable Design Bollards, sidewalks, pedestrian areas or public spaces can be easily separated from the rest of road traffic in an elegant and cheap way. They are mainly installed in a row so that they can be used to avoid parking or entering a certain area. The passage remains allowed for pedestrians or cyclists. They have the same design as the fixed version, so they can be combined with each other.

GENERAL FEATURES

- Design bollards in either the painted steel version or with an elegant stainless steel surface;
- Simple installation with embedding in concrete;
- Easy installation and removal;
- Version with other cylinder height are available on request;
- Available also with diameter of 102 and 168mm.



Anticorrosion marine treatment



DESIGN BOLLARDS



AVAILABLE ITEMS

BOLLARD 140/900RM FEV – NORMAL STEEL PAINTED equipped with 2 EU lock keys

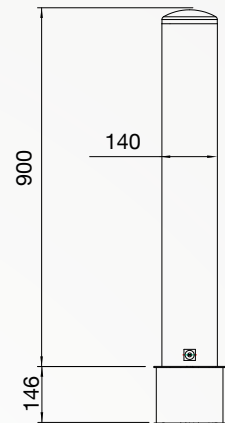
BOLLARD 140/900RM IXS – STAINLESS STEEL BRUSHED equipped with 2 EU lock keys

PAINTING WITH RAL COLOUR ON REQUEST

ADDITIONAL KEY FOR EU LOCK (normal steel - stainless steel brushed)

VERSION WITH OTHER CYLINDER HEIGHT are available on request

VERSION WITH A DIAMETER OF 102 and 168mm, are available on request



CYLINDER MATERIAL	S235JR NORMAL STEEL - X5CrNi 18-10 (AISI 304) STAINLESS STEEL
CYLINDER DIAMETER	140mm
CYLINDER HEIGHT	900mm
CYLINDER THICKNESS	2mm
FOUNDATION DEPTH	150mm
NORMAL STEEL CYLINDER FINISH	ANTI-CORROSION TREATMENT - STANDARD PAINTING GREY ANTHRACITE
STAINLESS STEEL CYLINDER FINISH	BRUSHING
OPERATING TEMPERATURE	-40 °C +70 °C
BOLLARD WEIGHT (WITHOUT BASEMENT)	11Kg
BASEMENT WEIGHT	4Kg
STANDARD LOCK	EUROPEAN PROFILE HALF CYLINDER ACCORDING TO DIN 18252
LOAD CLASS (EN124)	C250

PAG.5/5

PILOMAT
HÖRMANN
100% MADE IN ITALY

PILOMAT s.r.l.
www.pilomat.com / pilomat@pilomat.com
Via Zanica 17/p, 24050, Grassobbio (BG) Italy
Tel. +39.035.29.72.20
Copyright 2023© Pilomat S.r.l. All rights reserved

REVIEW 04/04/2023

Information in this document is for reference only. In pursuit of its policy of continuous refinement and improvement, Pilomat reserves the right to amend this information at any time and without prior notice.
Picture shown is for illustration purpose only.