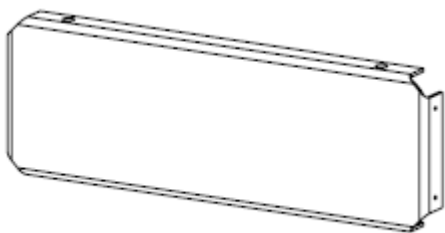
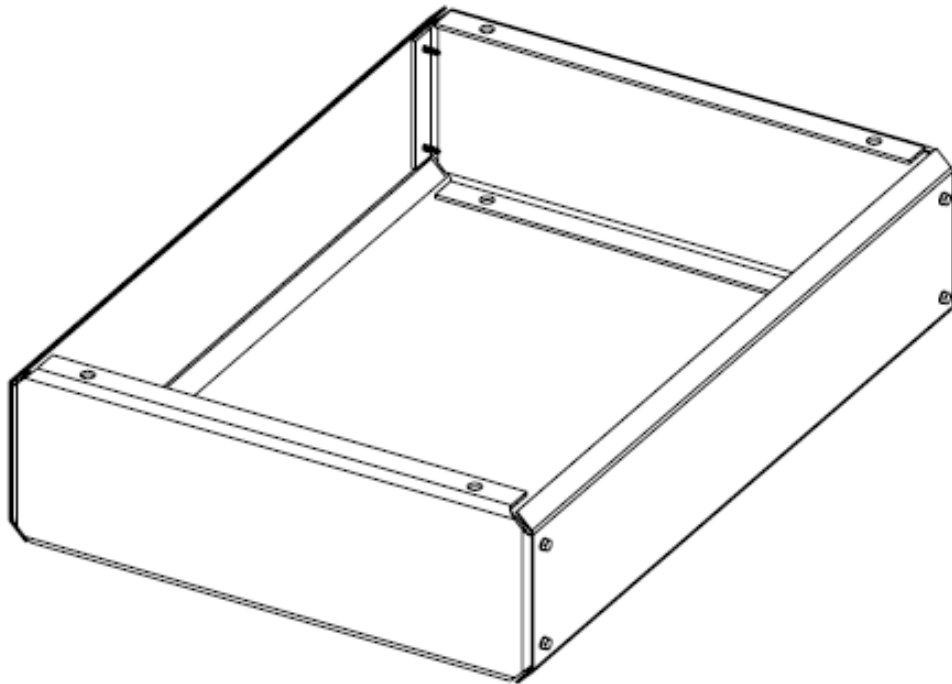


**Manual/Handleiding/Handbuch/Manuel/Manual**  
**Elevation Frame Low - BatteryBoxXL**



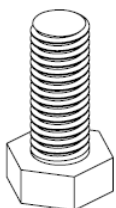
**A: Elevation frame, base 2x**



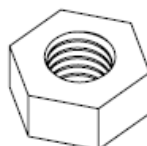
**B: Elevation frame, Side 2x**



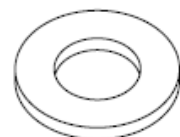
**C: Self tapping screw 8x**



**D: Bolt M8x20 4x**

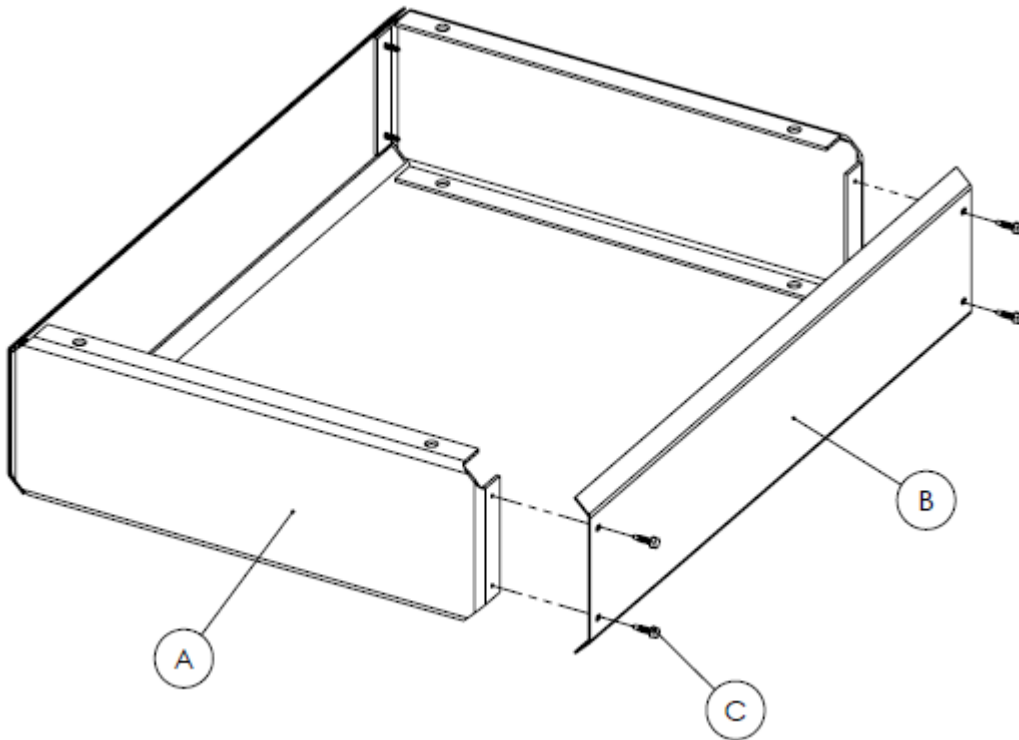


**E: Nut M8 4x**



**F: Washer M8 8x**

## 1. Assemble the elevation frame



## 2. Mount BatterBoxXL to frame

