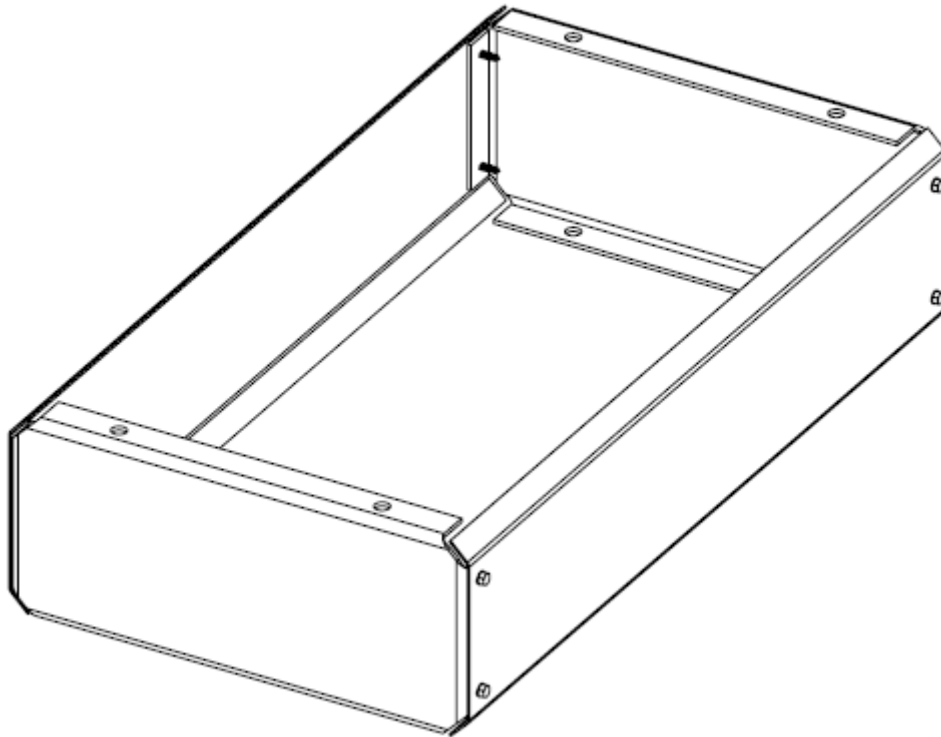


Manual/Handleiding/Handbuch/Manuel/Manual
Elevation Frame Low - BatteryBox



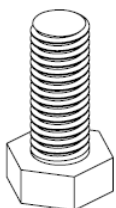
A: Elevation frame, base 2x



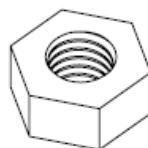
B: Elevation frame, Side 2x



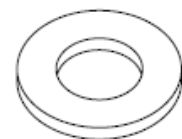
C: Self tapping screw 8x



D: Bolt M8x20 4x

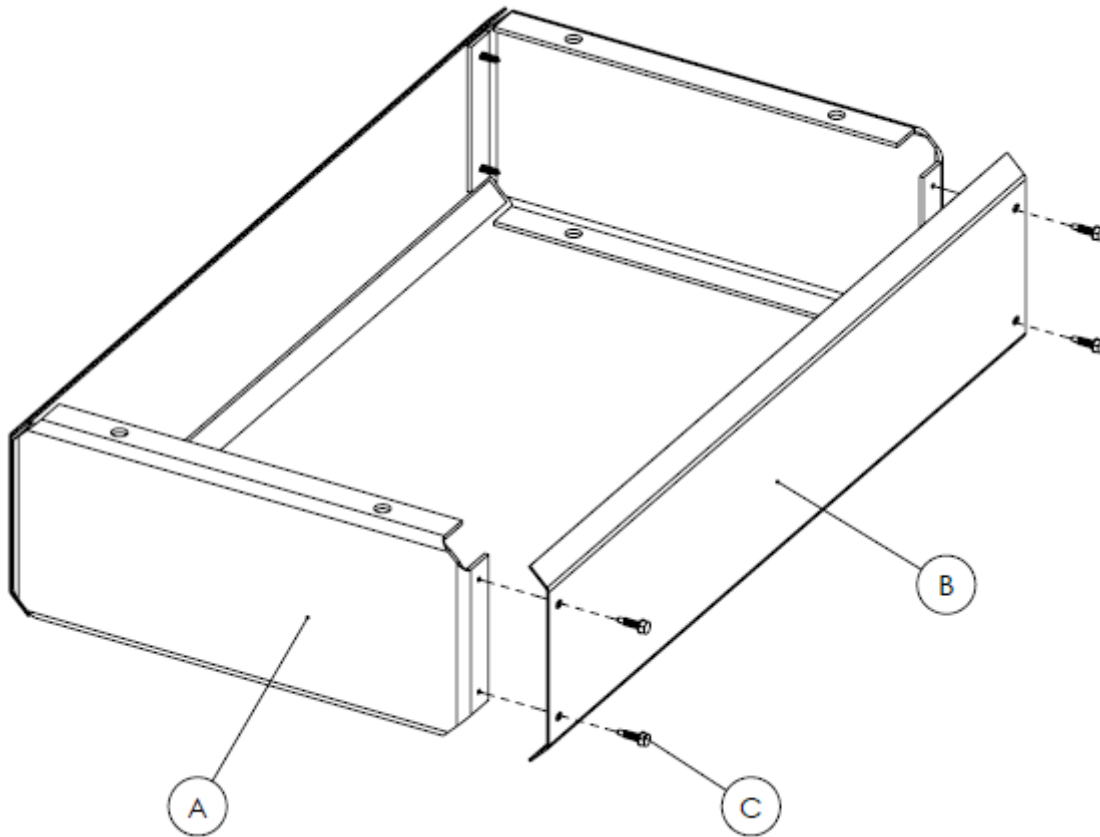


E: Nut M8 4x



F: Washer M8 8x

1. Assemble elevation frame



2. Mount BatteryBox to frame

