

EN

Instructions for fitting, operating and maintenance
Design bollard 102-900F / 140-900F / 168-900F / 140-900F-LH / 140-900RM

Contents

1 **About these instructions**.....2

2 **⚠ Safety instructions**2

2.1 Intended use.....2

2.2 Limitation of liability.....2

2.3 General safety instructions.....2

2.4 Fitter qualification2

2.5 Safety instructions for fitting, installation and maintenance.....2

3 **Transport and storage**.....3

4 **Product description**.....3

4.1 Fixed design bollards with screw-on flange.....3

4.2 Fixed design bollards to set in concrete3

4.3 Removable design bollards to set in concrete4

5 **Fitting**.....4

5.1 Inspection and preparation.....4

5.1.1 **⚠** Checking the subsurface.....4

5.2 Reinforced cylinder and reinforced ground fitting (optional).....4

5.3 Fitting the design bollard.....5

6 **Operation**.....7

6.1 Remove bollard7

6.2 Inserting the bollard.....7

6 **Dismantling and disposal**8

7 **EU Declaration of Conformity**8

8 **Technical data**.....8

Dear Customer,

We thank you for choosing a quality product from our company.

1 About these instructions

These instructions are **original operating instructions**.

These instructions contain important information on the product.

- ▶ Read through the instructions carefully.
- ▶ Heed the warnings. Please pay particular attention to the safety instructions and warnings and follow them.
- ▶ Keep these instructions in a safe place for later reference.
- ▶ Make sure that these instructions are available to the user at all times.

2 ⚠ Safety instructions

ATTENTION

IMPORTANT SAFETY INSTRUCTIONS.

FOR THE SAFETY OF PERSONS, IT IS IMPORTANT TO COMPLY WITH THE FOLLOWING INSTRUCTIONS. THESE INSTRUCTIONS MUST BE KEPT.

2.1 Intended use

This product is exclusively planned and designed for perimeter protection systems. Every other use that is not explicitly mentioned can impair the reliability of the product and / or present a possible source of danger.

2.2 Limitation of liability

This product may only be used for its intended use. The manufacturer assumes no liability

- for damages caused by improper or other use.
- for damages that can occur due to incorrect fitting or installation of the product and accessories.
- for any deformation that can occur during use.
- for the safety and correct functionality of the product if original spare parts are not used.
- for unauthorised changes to components of the product.

2.3 General safety instructions

Packaging materials (plastic, polystyrene etc.) must be stored out of the reach of children, as they pose a possible source of danger.

2.4 Fitter qualification

Correct fitting and maintenance must be performed by a competent / specialised company or a specialist in accordance with the instructions. This is the only way to ensure the bollard system functions reliably and as intended. A specialist is a person with suitable training, specialist knowledge and practical experience sufficient to correctly and safely fit, test and maintain a fixed bollard system.

2.5 Safety instructions for fitting, installation and maintenance

The specialist must observe the following when executing any of the work steps:

- The applicable job safety rules and regulations.

The relevant national guidelines must be observed.

Dissemination as well as duplication of this document and the use and communication of its content are prohibited unless explicitly permitted. Noncompliance will result in damage compensation obligations. All rights reserved in the event of patent, utility model or design model registration. Subject to changes.

3 Transport and storage

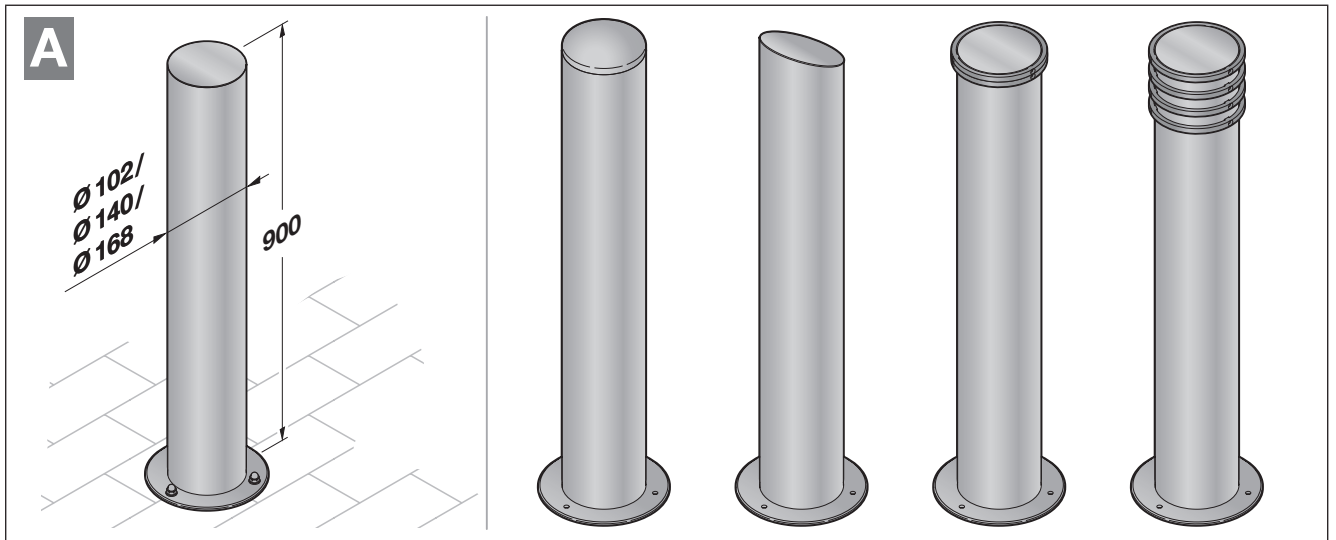
The bollards are packed on pallets. Use appropriate lifting equipment or a forklift for transport. Handle the bollards with care.

The design bollards can be stored in any place and also outdoors. As they are packaged in boxes, it is advisable to store the bollard in a closed or at least covered area.

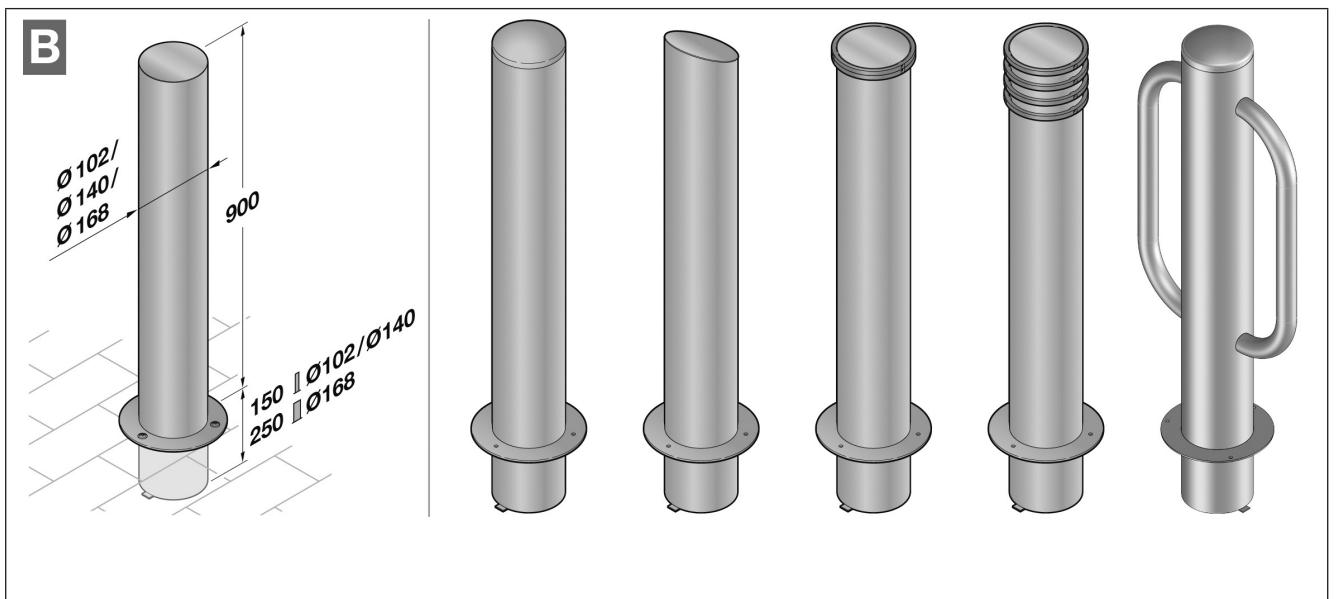
The design bollards can withstand transport and storage conditions from -25 °C to +55 °C and even +70 °C for less than 24 hours.

4 Product description

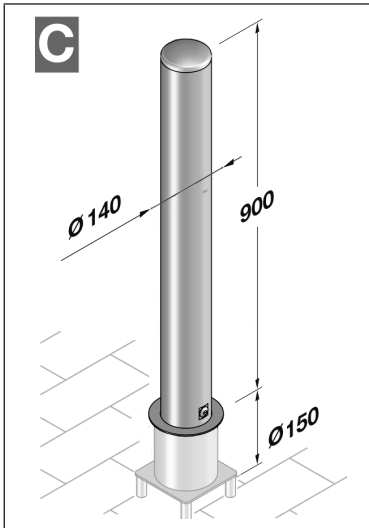
4.1 Fixed design bollards with screw-on flange



4.2 Fixed design bollards to set in concrete



4.3 Removable design bollards to set in concrete



All dimensions are in mm

5 Fitting

ATTENTION

IMPORTANT INSTRUCTIONS FOR SAFE FITTING. FOLLOW ALL INSTRUCTIONS. INCORRECT FITTING CAN LEAD TO SERIOUS INJURIES.

5.1 Inspection and preparation

- The bollard is not supplied pre-assembled.
- The bollard and, if applicable, a fitting set are packed on pallets.

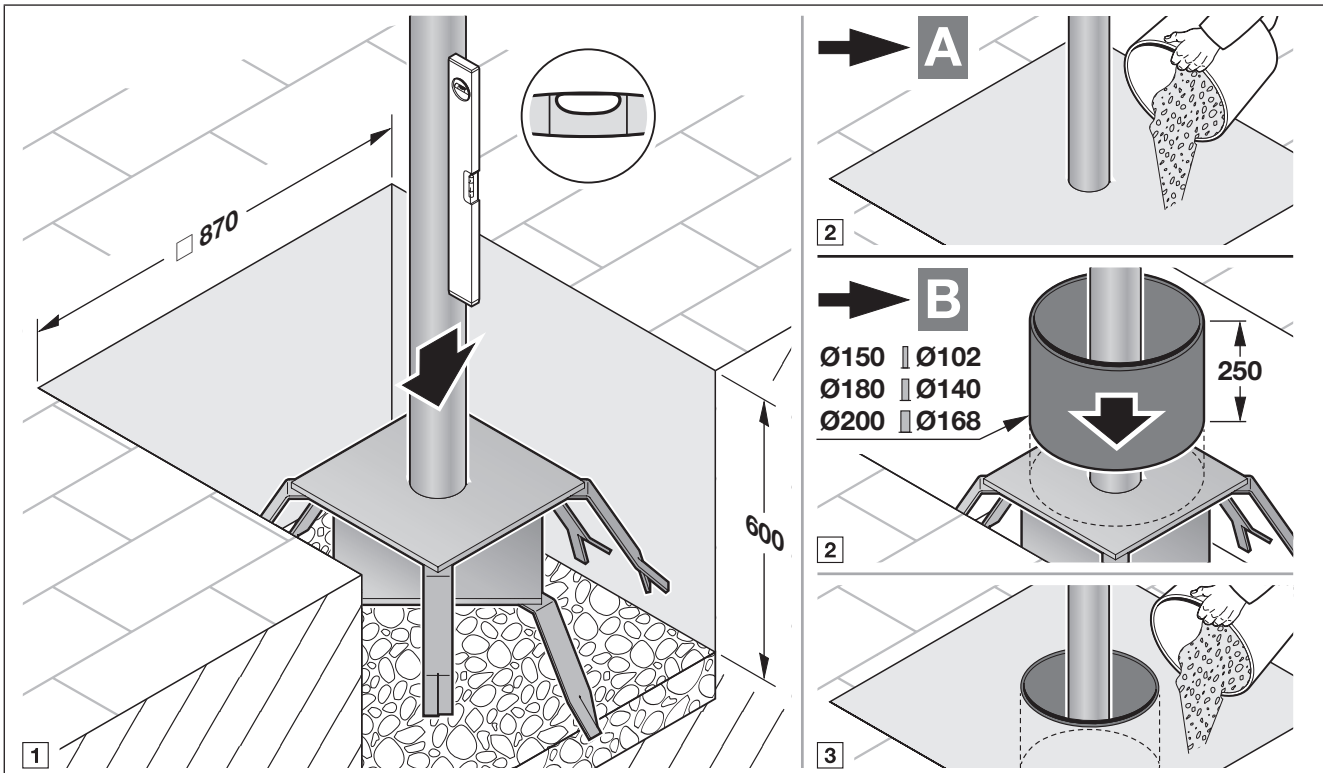
- Use appropriate lifting equipment or a forklift for transport.

5.1.1 Checking the subsurface

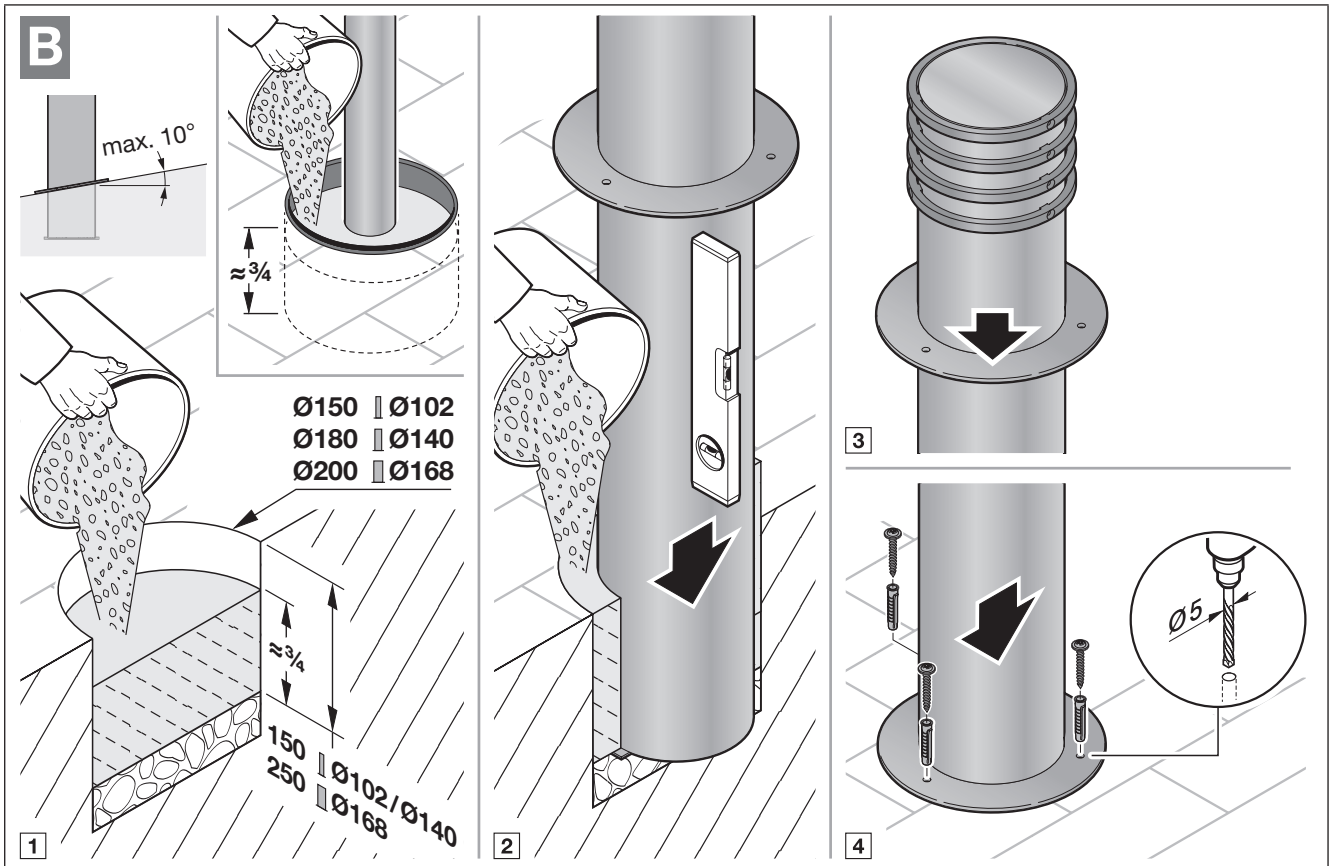
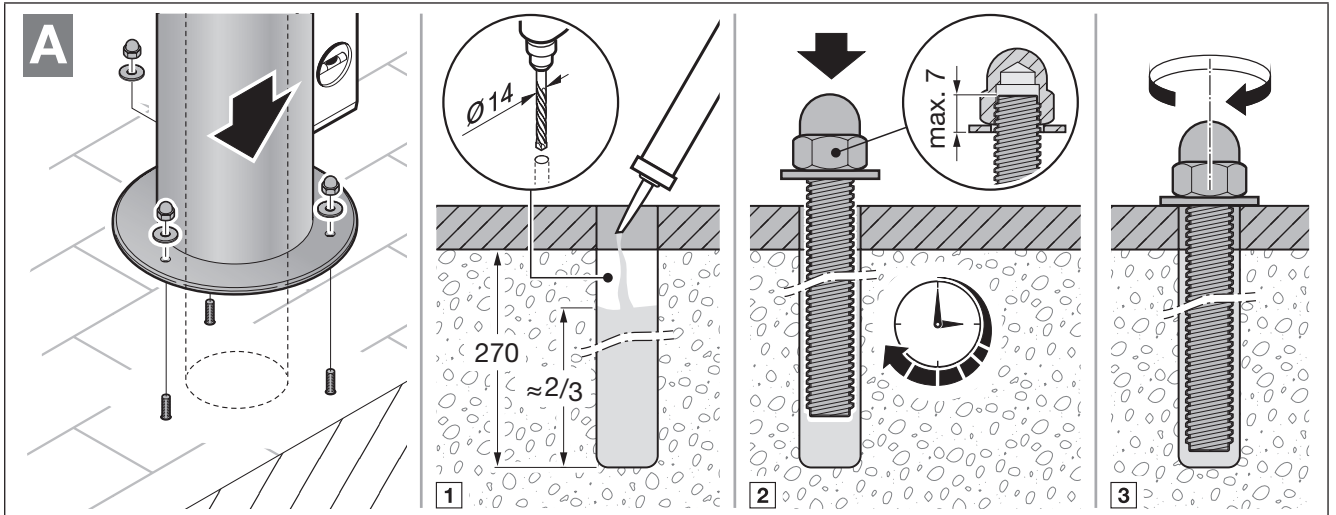
Before inserting, make sure that the place where the bollard is to be fitted meets the following requirements:

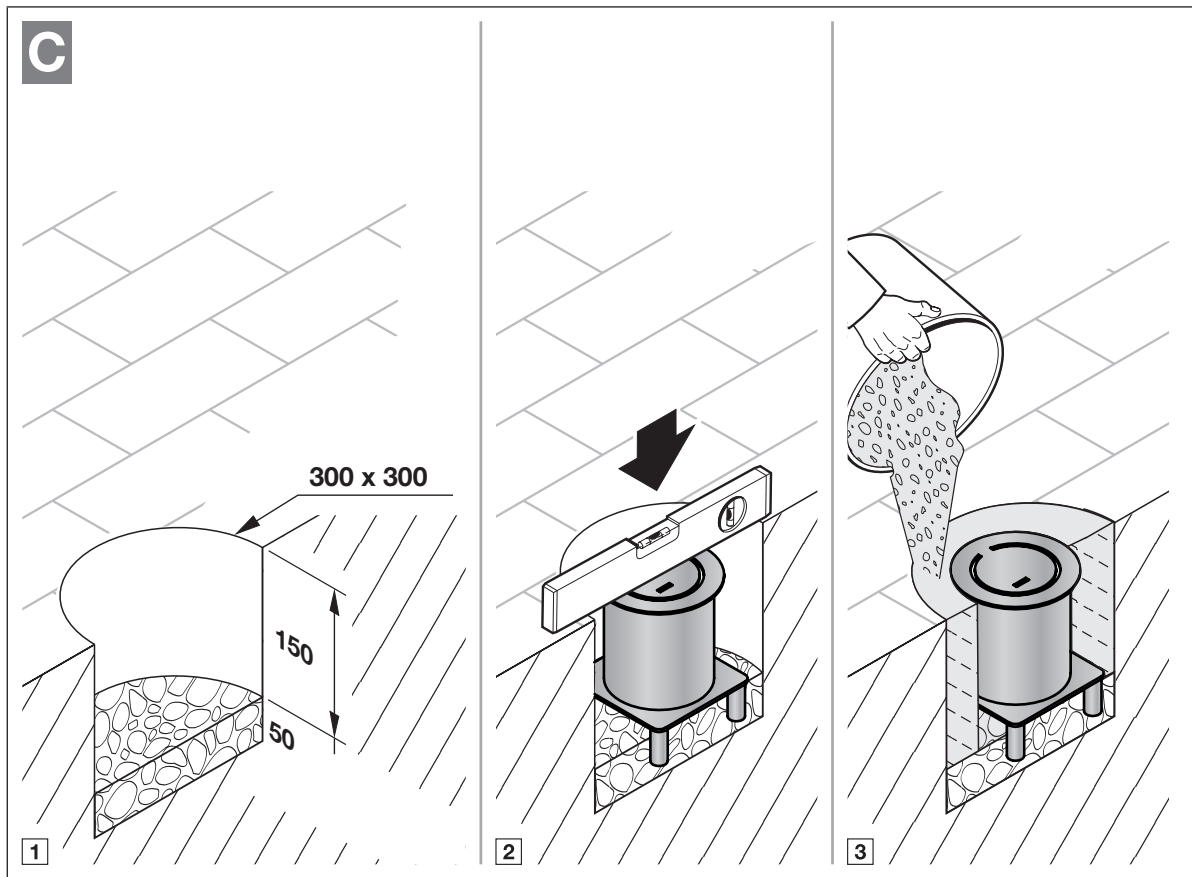
- Water-bearing layers must not be present in the subsurface.
- Lines or electrical cables must not be present.

5.2 Reinforced cylinder and reinforced ground fitting (optional)



5.3 Fitting the design bollard



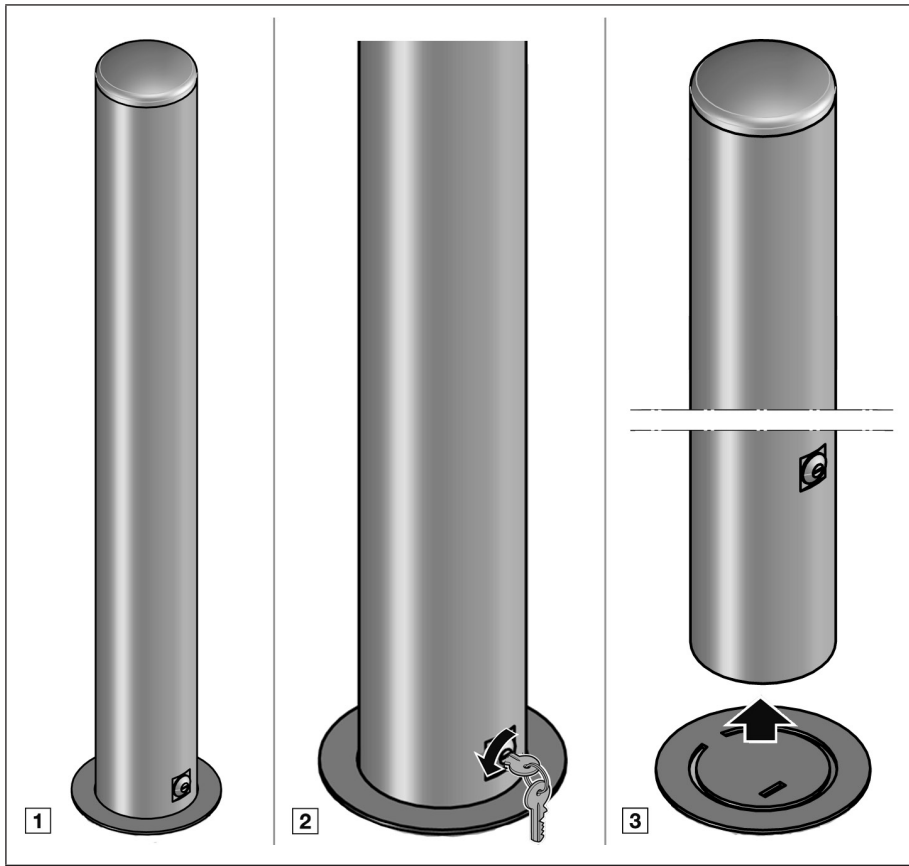
**ATTENTION**

The foundation depth may vary!

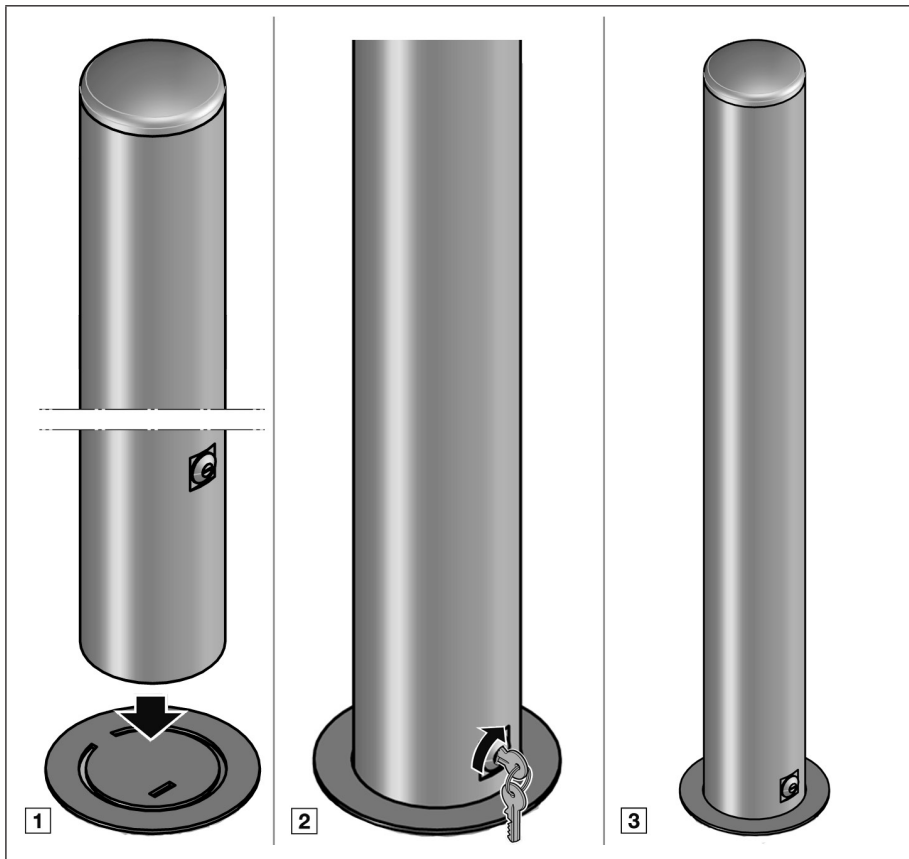
- ▶ When setting up the foundation, consider the local frost-free depth.

6 Operation

6.1 Remove bollard



6.2 Inserting the bollard



7 Dismantling and disposal



Do not dispose of electrical and electronic devices, as well as batteries, in household rubbish. Return them to the appropriate recycling facilities.

Both the perimeter protection system and the packaging consist largely of recyclable materials.

NOTE:

When dismantling the system, observe the applicable occupational safety rules and regulations.

8 EU Declaration of Conformity

Manufacturer Pilomat Srl,
Via Zanica 17/P
24050 Grassobbio (Bg), Italy

Managing Director Stefano Tuccio

We hereby declare, at our sole responsibility, that the products

Type Design bollard
Models 102-900F / 140-900F / 168-900F /
140-900F-LH / 140-900RM
Intended use For traffic control and / or as a
protection barrier

conforms to the essential requirements and other relevant provisions of the EU directives listed below with intended use:

2001/95/EC General Product Safety Directive

Any unauthorised modification made to this product shall render this declaration null and void.

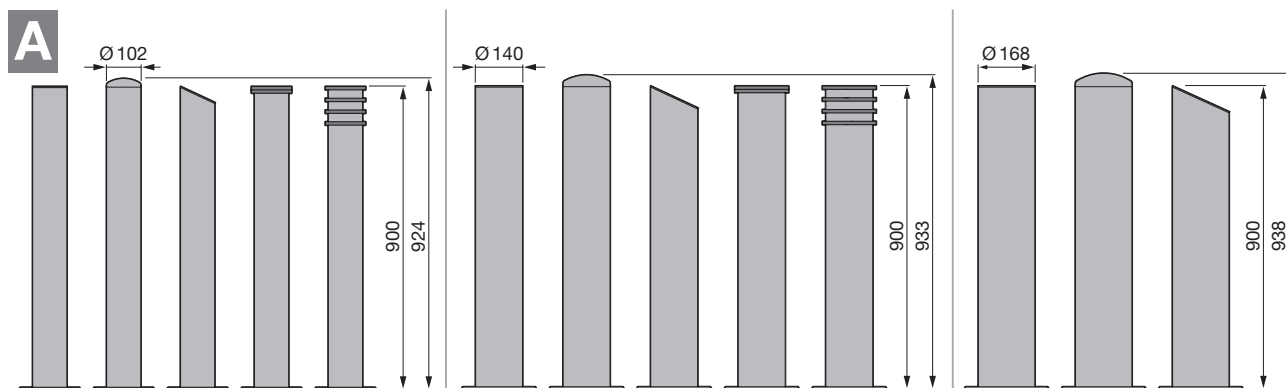
The signatory is the person authorised to compile the required technical documentation.

Grassobbio, 02.11.2022

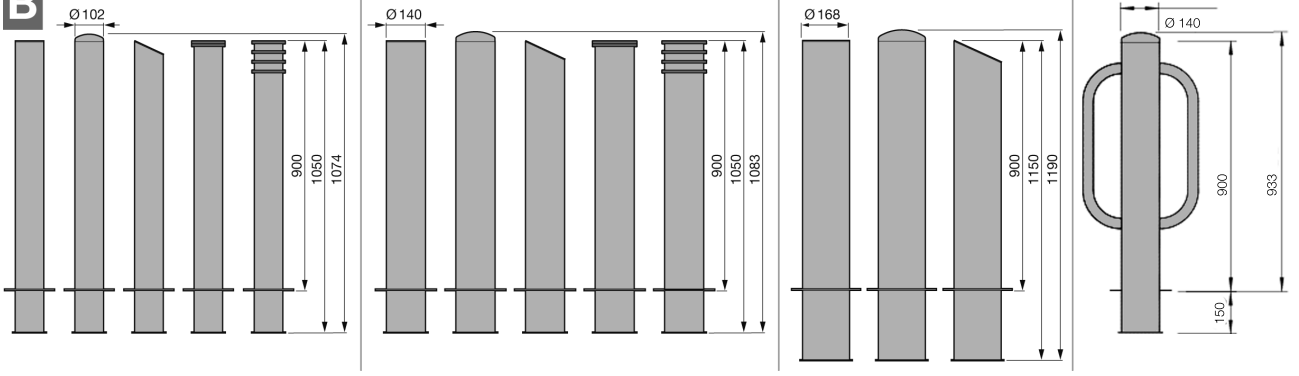
Stefano Tuccio
Managing Director

9 Technical data

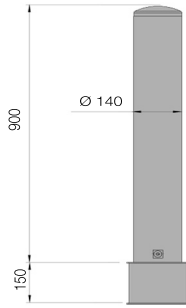
Cylinder material	Steel S355JR (Fe510) Stainless steel (AISI 304)
Nominal diameter of the cylinder	102-900: 102 mm 140-900: 140 mm 168-900: 168 mm
Nominal height of the cylinder	900 mm
Cylinder thickness	2 mm
Surface treatment of the steel cylinder	Painted (standard colour Anthracite grey)
Surface treatment of the stainless steel cylinder	Brushed
Impact energy (with destruction) (not for 140-900RM)	200000 J (only with reinforced cylinder and reinforced ground fitting)
Fitting set	Version A: optional – threaded rods M10, washers, cap nuts and chemical anchor Version B: standard – through plugs and screws
Weight	102-900F: max. 6,5 kg 140-900F: max. 9 kg 168-900F: max. 13 kg 140-900RM: max. 11 kg



B



C



102-900F / 140-900F / 168-900F
140-900F- LH / 140-900RM

PILOMAT Srl,
Via Zanica 17/P
24050 Grassobbio (Bg)
Italy