

## Self-Service Repair and Washing Station for Bicycles with Waterbottle Filler

The URBANfixH<sup>2</sup>O is the most compact washing and repair station for bicycles. It includes an all types of handlebars hanger, a water hose with washing pistol, 9 tools, an air pump and a water bottle filler to help cyclists get hydrated on their rides.

With the URBANfixH<sup>2</sup>O the cyclist has the most complete and compact washing and service station for bicycles available (only 150x25x60cm when closed).

### Technical Features

1. Universal support/hanger for any kind of bike
2. Universal Washing Claw
3. 9 bike specific tools
4. Washing Hose With Pistol
5. Air pump with Manometer
6. Water Bottle Filler
7. Areas for customized branding
8. Multi-language instructions

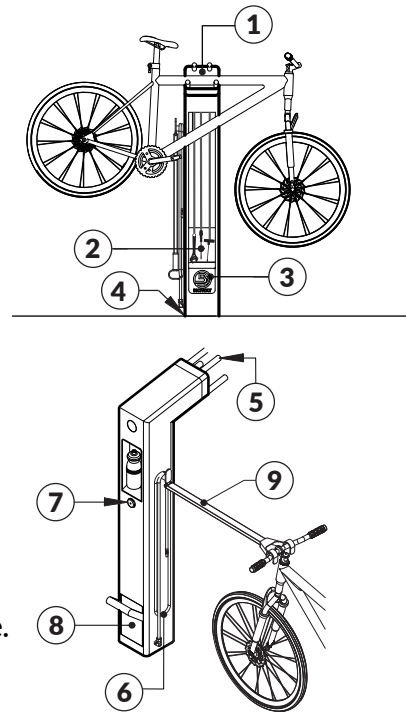


### Designed for

1. Ciclopaths and e Ecopaths
2. Sports facilities
3. Mountain Bike Centres
4. Public transportation terminals
5. Hotels that want to be Bike Friendly
6. Universities and colleges
7. Commercial Real Estate and Garages



1. PVC coated supporting hanger designed to hold firmly any type of bicycle frame
2. Includes 9 tools to make the most common maintenance and repairing operations.
3. Stainless steel protection to prevent painting damages or scratches provoked by the tools
4. Internal ground fixing system for installation in all kinds of terrain
5. PVC Coating for frame protection
6. Bike washing hose with pistol
7. Anti-bacterial water tap for water bottle filling.
8. Double capacity universal Air Pump with manual working and reinforced hose.
9. Specific supporting hook for bikewashing (fits all types of bikes)..



## Material

Dimensions (W x L x H)	Weight	Colour	Fixing
60 x 25 x 155cm	45kg	Several RAL Colors Available	Aparafusado ao pavimento com ligação à rede de água

## Manufacturing

Material	Protection	Paint
Steel	Protection Metallization Zinc-Rich Primary Epoxy	Electrostatic Powder Coating

## Orders (ExWorks)

Reference	Shipping Dimensions	Shipping Weight
BCW.O0002	65 x 40 x 165cm	50kg