

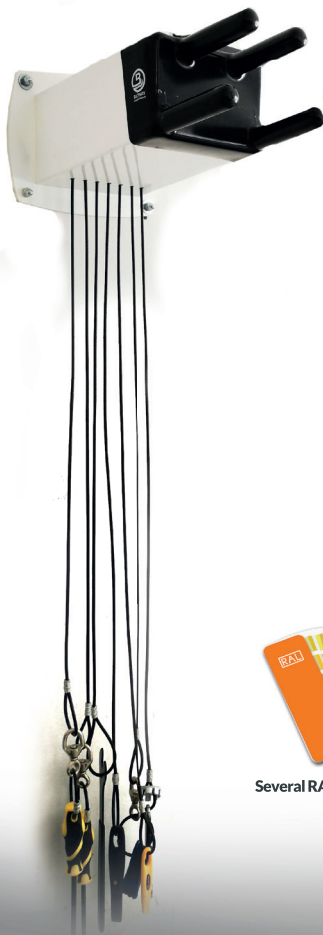
Self-Service Repair Station for Bicycles

Wall mounted Repair Station for public use with supporting hanger and 7 tools included
The **URBANfix** BASIC uses our patented head that was designed to support easily but firmly any type of bike with any type of frame. All points of contact with the bike are covered in a rubberized material to avoid any scratches on the frame.

The bike specific tools are held with PVC coated cables for maximum protection and durability. It has a small footprint, making it perfect for smaller places.

Advantages & highlights

1. Rubberized Universal Supporting Hanger
2. 7 Bike Specific Tools
3. PVC Coated Cables
4. Customizable with Branding



Seven bicycle specific tools

1. Phillips Screwdriver
2. Screwdriver
3. Spoke wrench
4. Tire levers
5. Pedal key
6. Spanner
7. Allen Key Set



Several RAL Colors Available

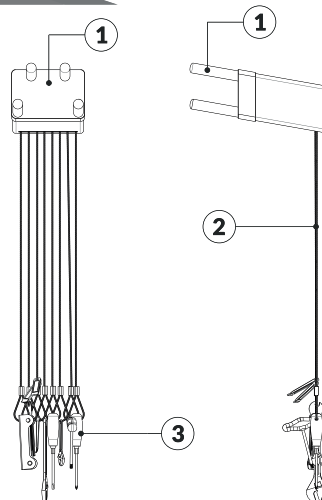


URBANfix BASIC



+ info!

1. Supporting hanger designed to hold firmly and easily any type of bicycle with any type of frame
2. PVC Coated tools cables
3. 7 tools to make the most common maintenance and repairing operations.




Equipment info



Dimensions (W x L x H)	Weight	Color	Fixing System
40 x 20 x 30cm	7kg	Several RAL Colors	Bolted to a Wall

Technical Info



Material	Protection	Painting
Steel	Metallization Zinc-Rich Primary Epoxy	Electrostatic Powder Coating 

Orders (ExWorks)



Reference	Shipping Dimensions (W x L x H)	Shipping Weight
BCW.O0003	45 x 30 x 40 cm	7.5kg 

