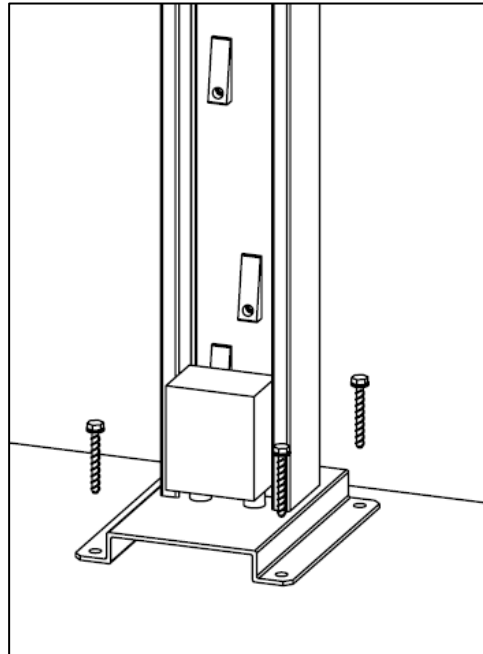


EasyStack[®]

Step 1. Placement columns "high positions"

1. Mount the column to floor
2. Attach the bracket using the pre-installed bolts
3. Place the gutter on the axle over the pre-installed bolts
4. secure the gutter using the included bolts and nuts

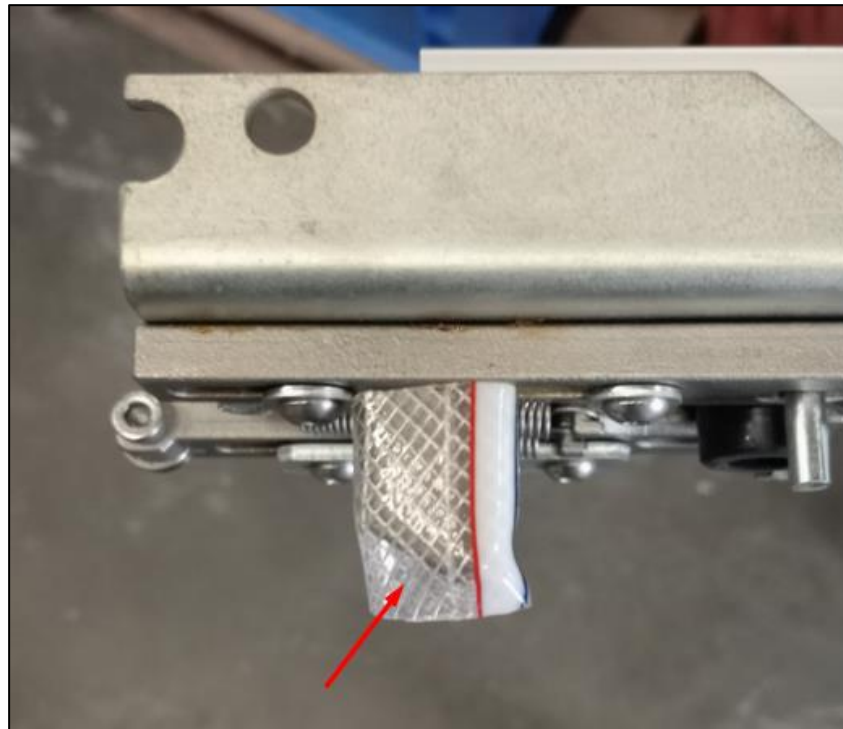


EasyStack[®]

Step 1. Placement columns "high positions"

5. Remove the plastic cover from the bottom of the gutter
6. Remove the rod holding the gaspring block in place

Do not place your hands between the block and the slider!



EasyStack[®]

Step 2. Assembly lower gutters



EasyStack®

Step 3. Placement "guiding rail"

1. Place the rail in correct position
2. Bolt the rail to floor, max. 1,5m between mounting plates
3. Place sliders on the rail
4. Mount end-stop

