

SheffieldCharge

Configuration

↔ = Center distance between SheffieldChargecm

↔ = Length cable with plug to wall outlet:cm

↓ = Cable cover and T-Junction?: Yes/ No

If "yes": Cable cover: meter, T-junction: units

↓ = Corner-Junction (seen from front of Sheffield)?: Yes/ No

If "yes": Left, units/ Right, units

↔ = Cable cover until wall outlet: Yes/ No

If "yes": cm

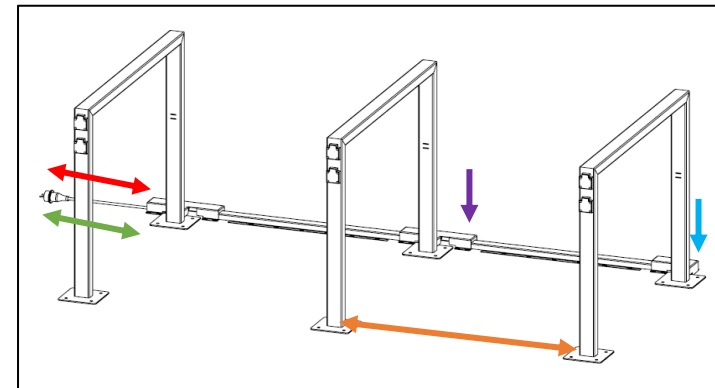
Project quantity SheffieldCharge: units

Row 1: Units

Row 2: Units

Row 3: Units

Row 4: Units



Additional Information:

- Project Photo's/Drawings
 - Material floor: concrete, tiles,
 - Availability power supply 230V/16A: Yes/ No
- Advise: max. 4x SheffieldCharge per power group 230V/16A