

General Product Safety Regulation SheffieldCharge



Index

General Product Safety Regulation (GPSR) Document	2
1. Introduction.....	2
2. Productomschrijving	2
3. Risk Assessment	3
3.1 Risk Identification	3
3.2 Risk Analysis	3
3.3 Risk Management.....	3
4. Compliance with Regulations and Standards.....	3
5. Instructions for Use and Warnings.....	4
5.1 Installation	4
5.2 Use	4
5.3 Warnings	4
6. Declaration of Conformity	4
7. Appendices.....	4
Appendix 1.....	5

Mobiliteitsoplossingen - Mobility Solutions - Mobilitätslösungen - Solutions de Mobilité

Gansoord 80 | 2165 BD Lisserbroek (NL) | T: +31-(0)252-420384 | www.lo-minck.nl | info@lo-minck.nl
 KvK: 77815092 | BTW: NL861156687B01 | BIC: RABONL2U | IBAN: NL95RABO 0328101524 | SC: 990260 | EORI: 861156687
 Op al onze offertes, op alle opdrachten aan ons en op alle met ons gesloten overeenkomsten zijn de Metaalunie-voorwaarden van toepassing, gedeponneerd ter Griffie van de Rechtbank te Rotterdam, volgens de laatste aldaar neergelegde tekst. Deze leveringsvoorwaarden worden u op verzoek toegezonden.

General Product Safety Regulation (GPSR) Document

Product Name: SheffieldCharge

Manufacturer: Lo Minck Mobility BV

Location: Lisserbroek

Version: 1.0

1. Introduction

This document has been prepared in accordance with the **General Product Safety Regulation (EU) 2023/988** and aims to demonstrate that the **SheffieldCharge** product complies with safety standards for intended use and reasonably foreseeable misuse.

2. Productomschrijving

Product Name: SheffieldCharge

Type: Bicycle parking system with integrated charging capabilities for electric bicycles

Target Group: Consumers, businesses, municipalities, and public institutions

Purpose: Bicycle parking with anchoring facilities and charging for electric bicycles

Material:

- Frame/Brackets: Stainless Steel, powder-coated RAL6018
- Charging Points: IP66 waterproof connectors

Features:

- Robust construction
- Plug-and-play charging points for 230V electrical connection
- Modular design
- Suitable for single-sided and double-sided use

3. Risk Assessment

3.1 Risk Identification

The following risks have been identified for the use of **SheffieldCharge**:

Risk	Description	Measure
Electrical Risks	Short circuit	Use of IP66-certified cables and connectors
Mechanical Risks	Injury to limbs	Smooth design and rounded edges
Damage to Bicycles	Damage to bicycle components	Stability through precise design
Rust Formation	Deterioration due to weather exposure	Stainless steel with coating

3.2 Risk Analysis

The risks have been analyzed based on severity and likelihood. The implemented measures ensure that the risk of injury or damage is minimal.

3.3 Risk Management

The following measures have been implemented:

- **Electrical Safety:** Water- and dust-resistant IP66 connectors and cables
- **Stability:** Modular design for sturdy use
- **Mechanical Safety:** No sharp edges; smooth and rounded steel

4. Compliance with Regulations and Standards

The **SheffieldCharge** product complies with the following standards and guidelines:

- **EU 2023/988:** General Product Safety Regulation
- **EN 60335-1:** Safety of electrical appliances

5. Instructions for Use and Warnings

5.1 Installation

- Install the **SheffieldCharge** according to the provided installation manual.
- Ensure a stable and flat surface.

5.2 Use

- Properly connect bicycles to the charging points (note: close covers when not in use).
- Regularly check the charging points for wear or damage.

5.3 Warnings

- Use only original connectors and cables.
- Do not connect the charging point if visible damage to electrical components is present.
- Do not expose the stand to extreme mechanical stress (do not sit/stand on the parking system).

6. Declaration of Conformity

Manufacturer:

Lo Minck Mobility BV
Gansoord 80,
2165 BD Lissersbroek, The Netherlands
Tel: +31-(0)252-420384
E-Mail: sales@lo-minck.nl

Lo Minck Mobility BV hereby declares that the **SheffieldCharge** product complies with the requirements of the **General Product Safety Regulation (EU) 2023/988** and relevant electrical and mechanical standards.

Signature:



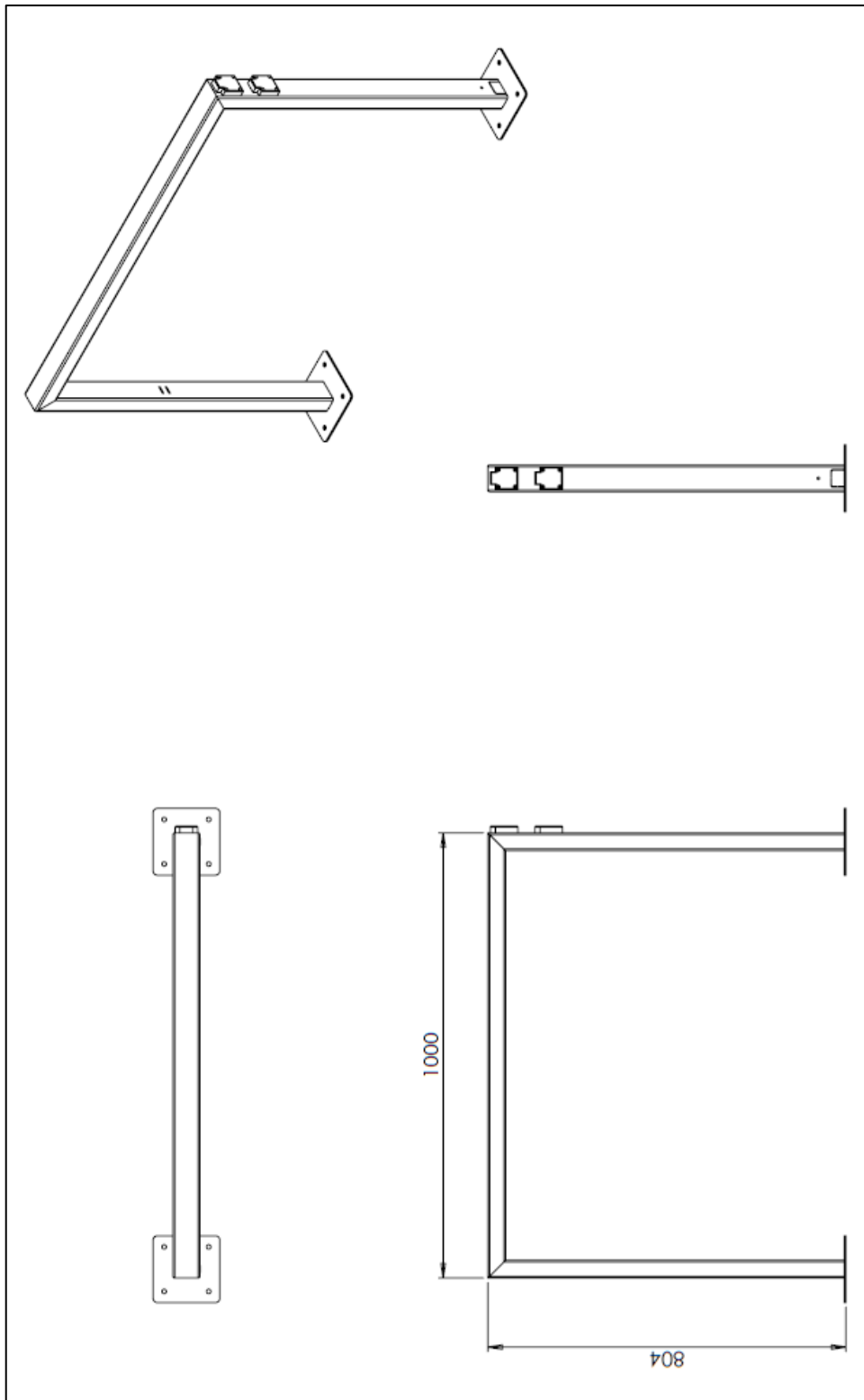
Name: Arjan Minck

Date: 03-02-2025

7. Appendices

1. Technical drawings

Appendix 1



Mobiliteitsoplossingen - Mobility Solutions - Mobilitätslösungen - Solutions de Mobilité

Gansoord 80 | 2165 BD Lissersbroek (NL) | T: +31-(0)252-420384 | www.lo-minck.nl | info@lo-minck.nl
KvK: 77815092 | BTW: NL861156687B01 | BIC: RABONL2U | IBAN: NL95RABO 0328101524 | SC: 990260 | EORI: 861156687
Op al onze offertes, op alle opdrachten aan ons en op alle met ons gesloten overeenkomsten zijn de Metaalunie-voorwaarden van toepassing, gedeponneerd ter Griffie van de Rechtbank te Rotterdam, volgens de laatste aldaar neergelegde tekst. Deze leveringsvoorwaarden worden u op verzoek toegezonden.