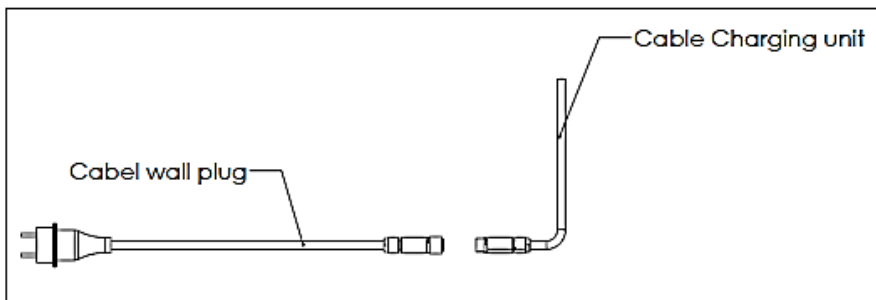
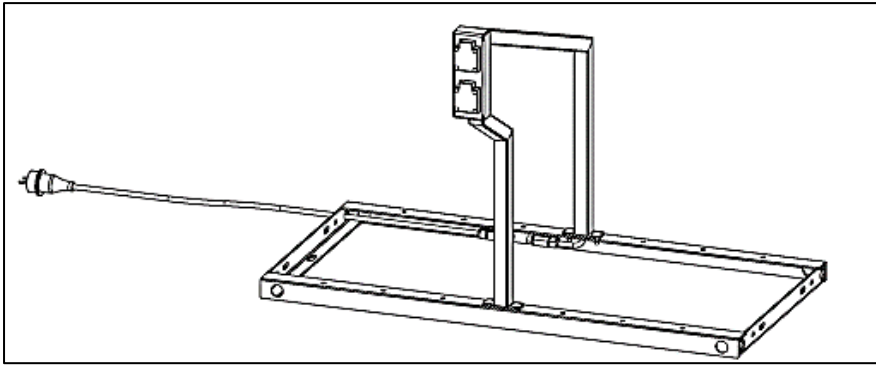


- **B2MinckCharge – 1x module, single-sided**

Required electrical components:

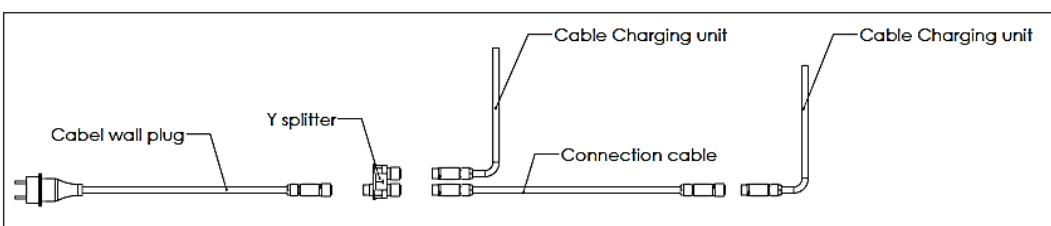
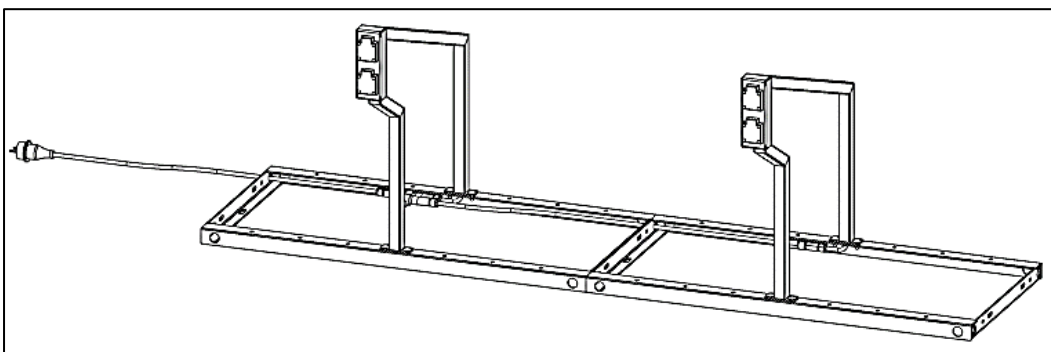
- 1x Female-connector with wall plug (incl. 10m cable)



- **B2MinckCharge – 2x module, single-sided**

Required electrical components:

- 1x Female-connector with wall plug (incl. 10m cable)
- 1x Female/Male-connector with Y-connector (incl. cable)

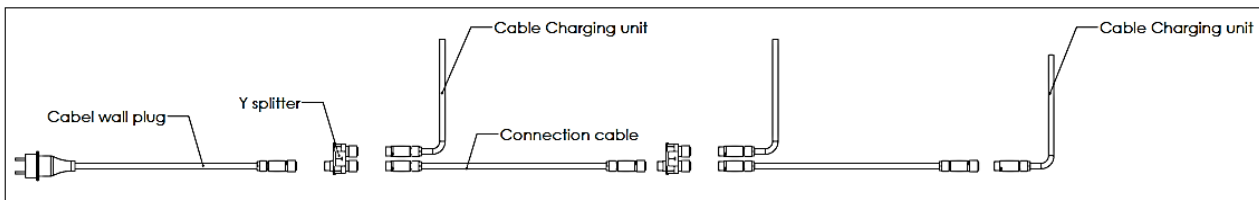
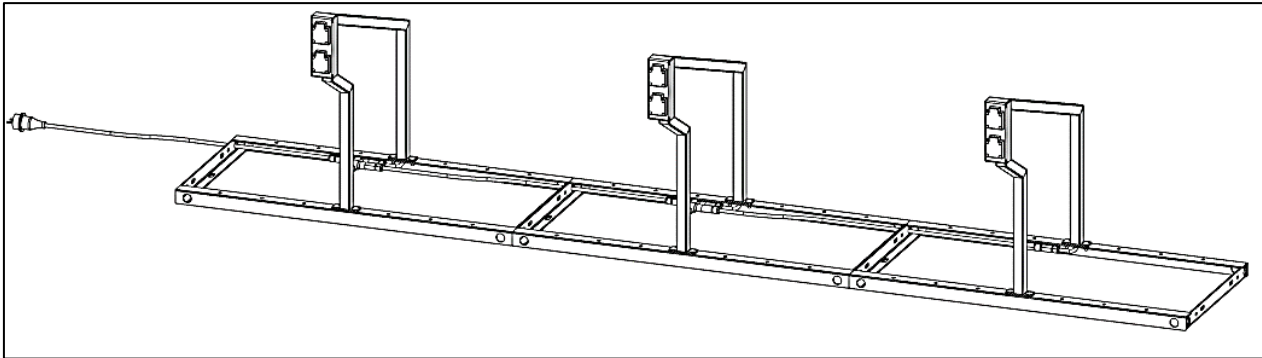


Attention: Maximum 4x B2MinckCharge single-sided (= 8 charging points) connected to 1 power group 230V/16A

• **B2MinckCharge** – 3x module, single-sided

Required electrical components:

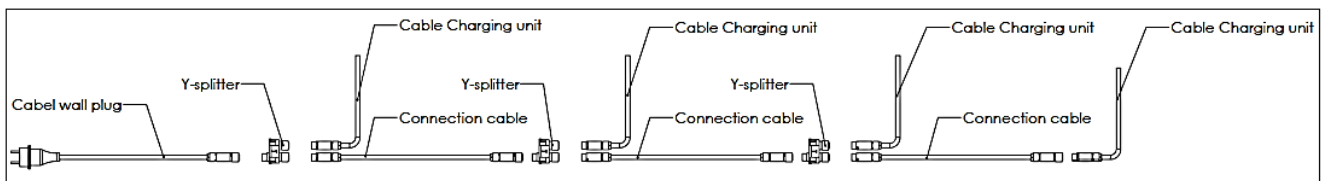
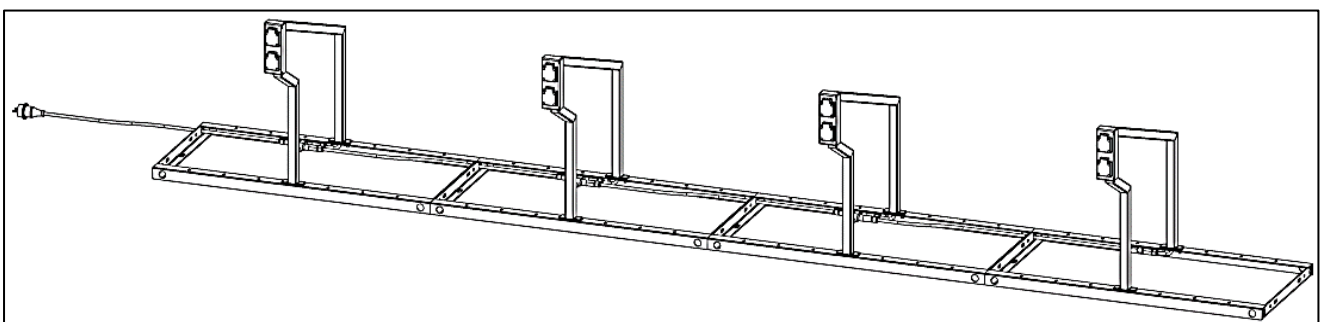
- 1x Female-connector with wall plug (incl. 10m cable)
- 2x Female/Male-connector with Y-connector (incl. cable)



• **B2MinckCharge** – 4x module, single-sided

Required electrical components:

- 1x Female-connector with wall plug (incl. 10m cable)
- 3x Female/Male-connector with Y-connector (incl. cable)



Attention: Maximum 4x B2MinckCharge single-sided (= 8 charging points) connected to 1 power group 230V/16A