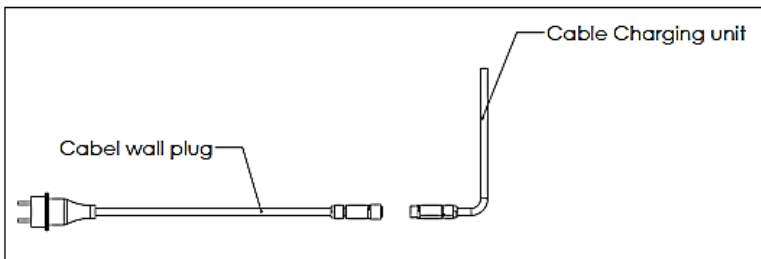
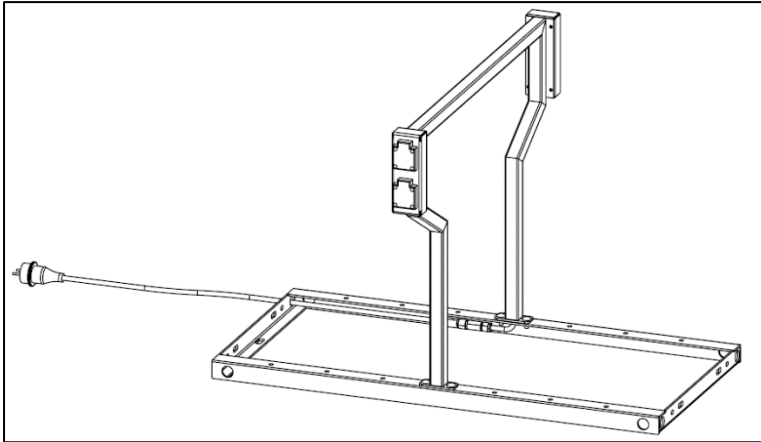


- **B2MinckCharge** – 1x module, double-sided

**Required electrical components:**

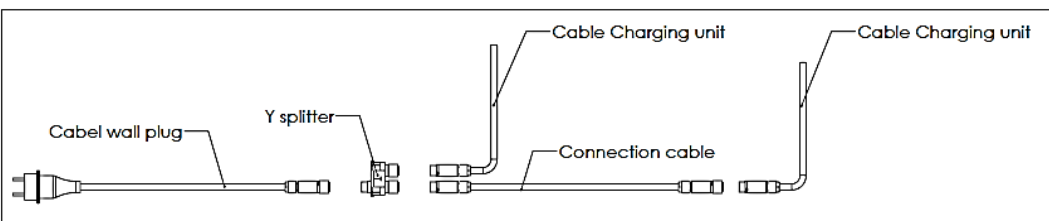
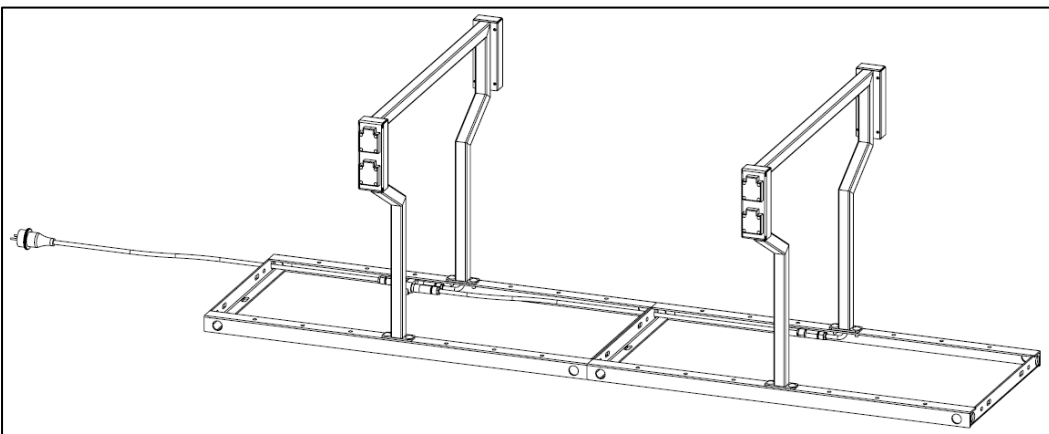
- 1x Female-connector with wall plug (incl. 10m cable)



- **B2MinckCharge** – 2x module, double-sided

**Required electrical components:**

- 1x Female-connector with wall plug (incl. 10m cable)
- 1x Female/Male-connector with Y-connector (incl. cable)



**Attention: Maximum 2x B2MinckCharge double-sided (= 8 charging points) connected to 1 power group 230V/16A**