



# VelowUp!

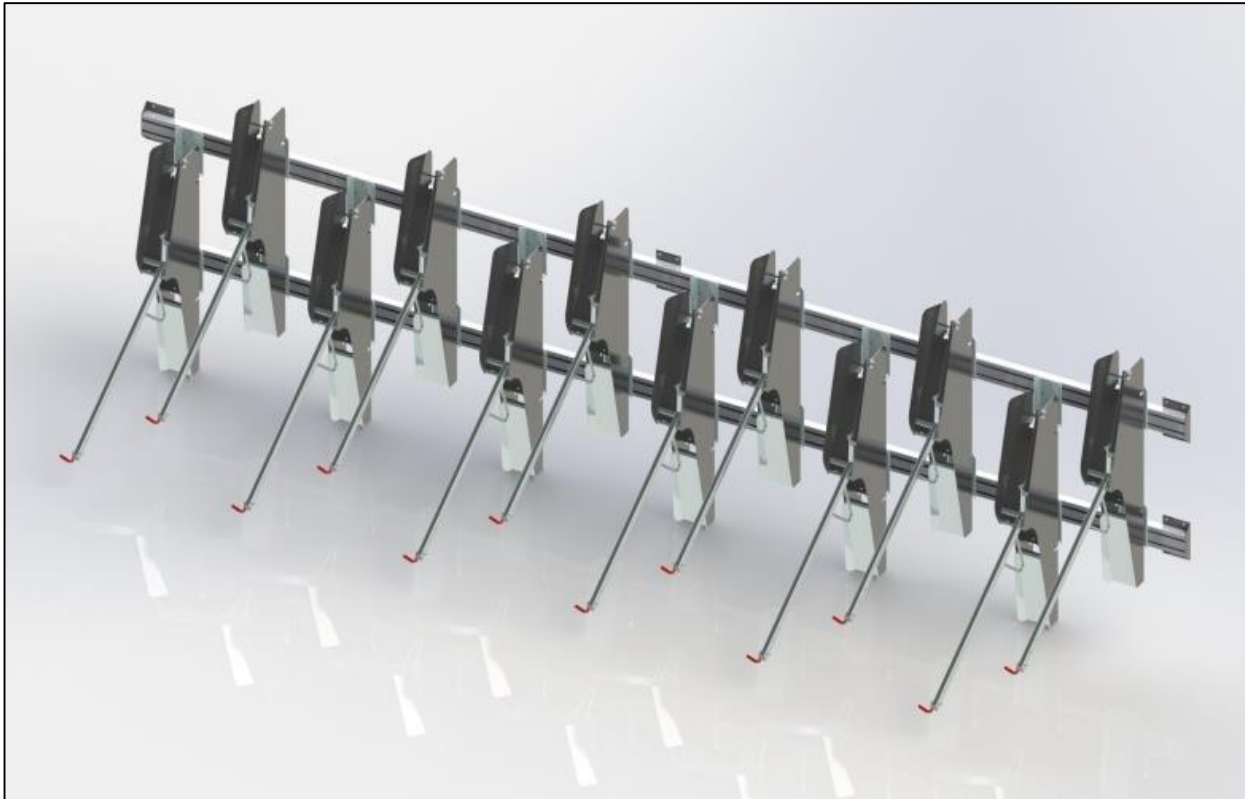
**Smart Bicycle Parking**

## **Manual Aluminium Profile System**

*Installation  
- Wall*

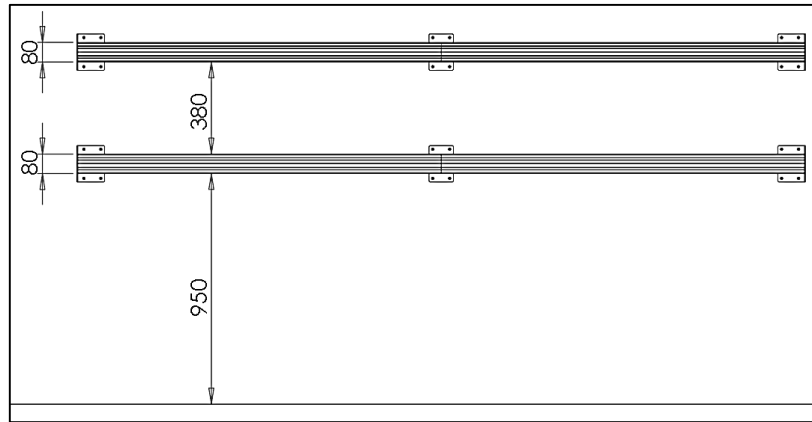
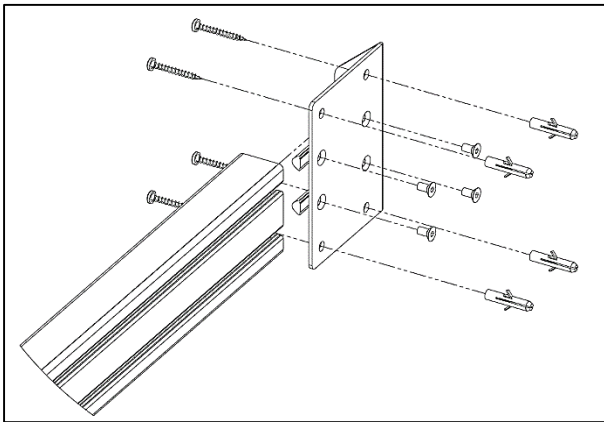
# VelowUp!<sup>®</sup>

Smart Bicycle Parking



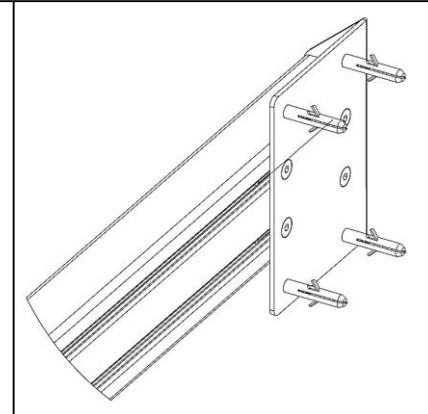
Wall

## Wall installation

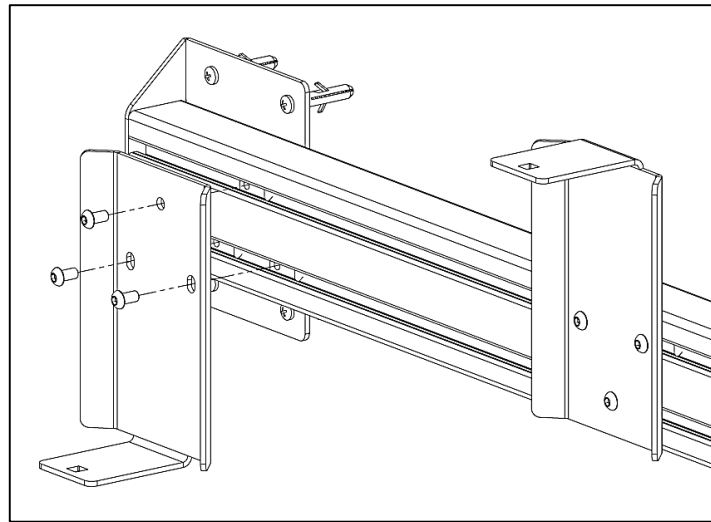


### Horizontal aluminium bars

- Step 1. Place t-nuts into profile channels (4x t-nuts per mounting plate).
- Step 2. Connect mounting plates to profile with bolts.
- Step 3. Hold profile against wall and mark holes.
- Step 4. Drill holes into wall.
- Step 5. Insert plugs and screws into wall through mounting plates.



## Installation VelowUp!<sup>®</sup> Aluminium Profile System



Step 1. Place t-nuts into aluminium profile channels (3x t-nuts per mounting plate)

Step 2. Connect mounting plates to profile with bolts

In case the VelowUp!<sup>®</sup>'s are installed high/low, position mounting plates alternately upwards and downwards (see above picture)