

VelowUp!®

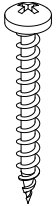
Smart Bicycle Parking

www.velowup.com

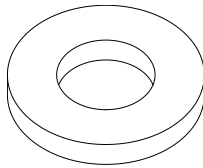
Manual/Handleiding/Handbuch/Manuel/Manual

1

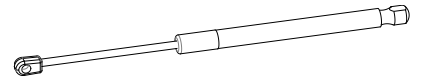
A. 6x Screw



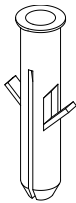
F. 2x Washer, plastic



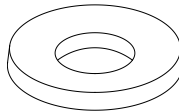
K. 1x Gas spring



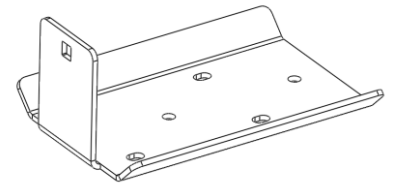
B. 6x Plug



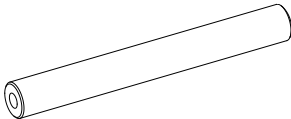
G. 2x Washer, steel



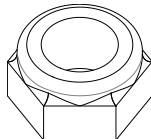
L. 2x Wall plate



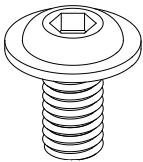
C. 1x Axle



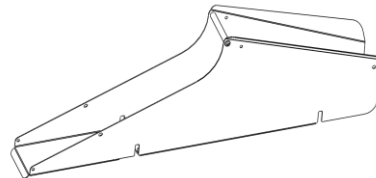
H. 2x Nut



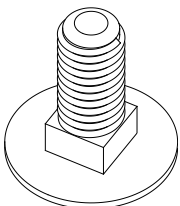
D. 2x Bolt, small



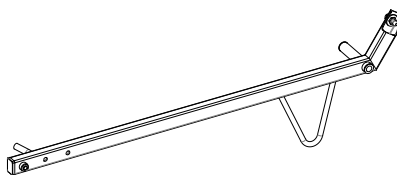
I. 1x Casing



E. 2x Bolt, large



J. 1x Lift arm



VelowUp!®

Smart Bicycle Parking

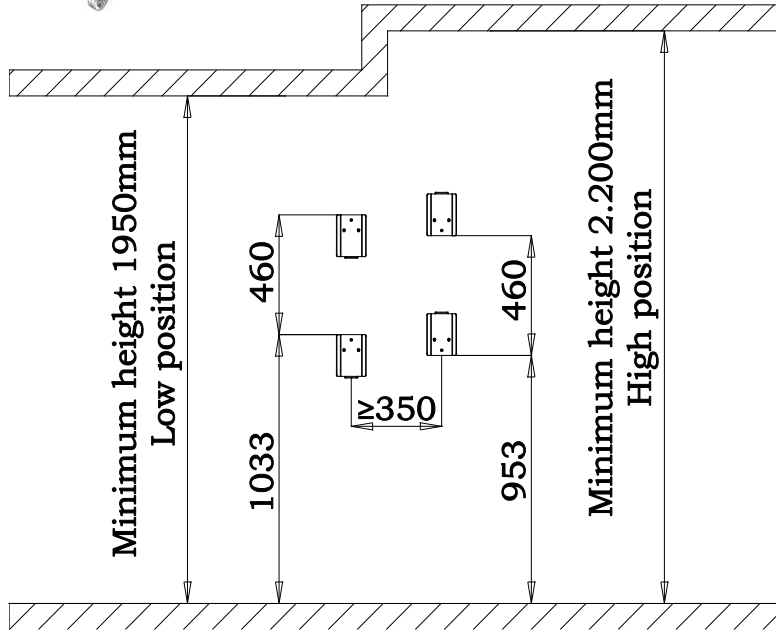
www.velowup.com

2 Mounting - Wall plates

- 6x A.
- 6x B.
- 2x L.



Ø8 mm



VelowUp!®

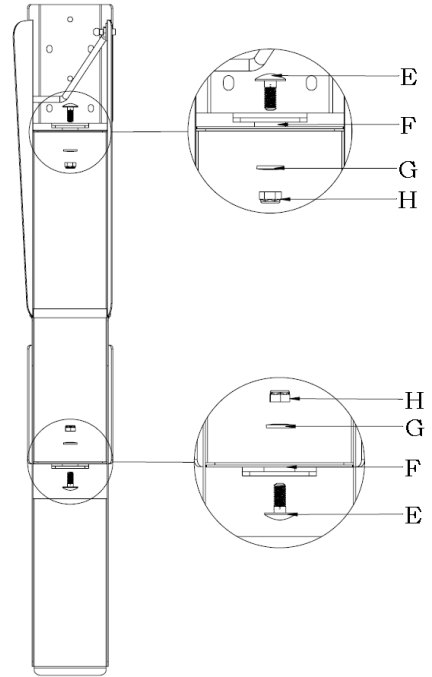
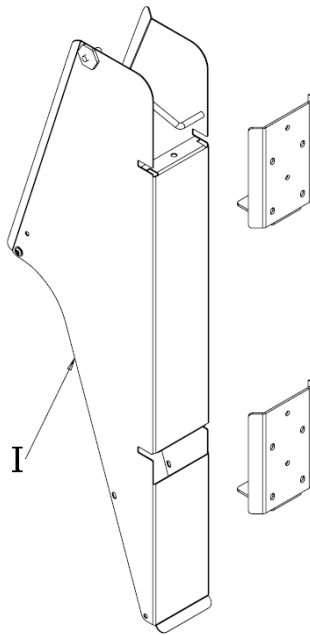
Smart Bicycle Parking

www.velowup.com

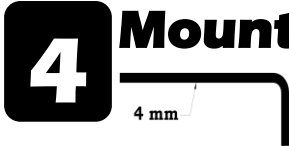
3 Mounting - Casing



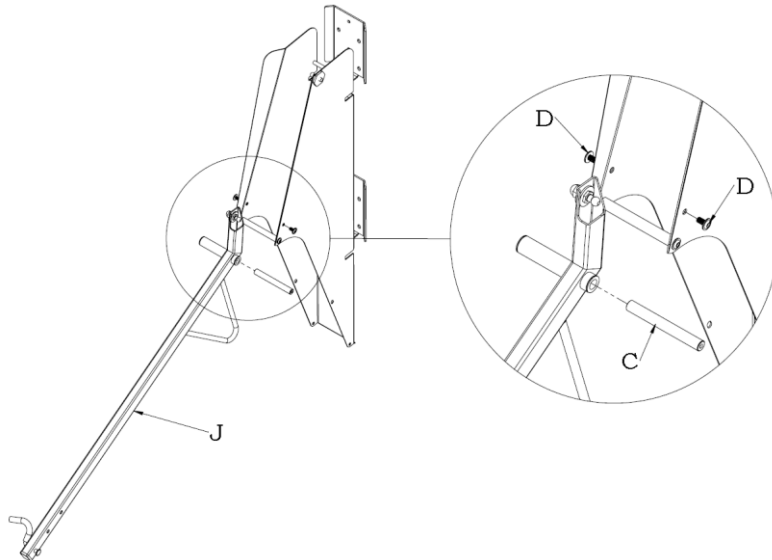
- 2x E. 2x H.
- 2x F. 1x I.
- 2x G.



4 Mounting - Lift arm



- 1x C.
- 2x D.
- 1x J.



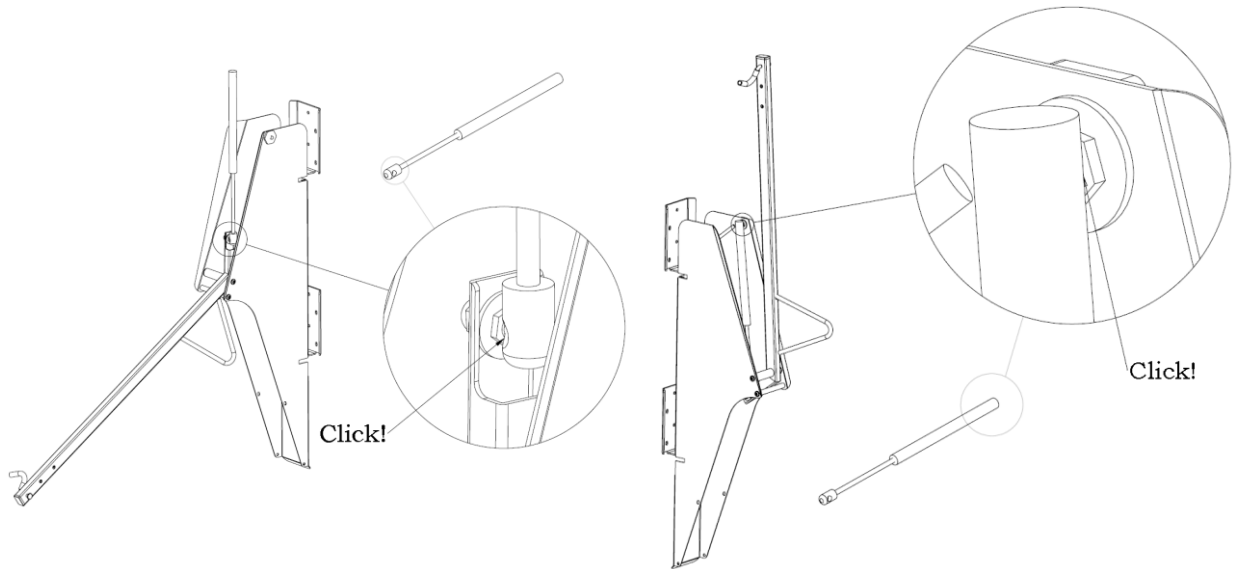
VelowUp!®

Smart Bicycle Parking

www.velowup.com

5 Mounting - Gas spring

1x K.



6 Overview

