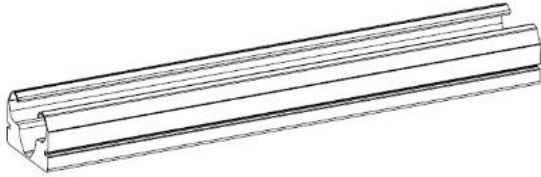


## Gutterbrush installation manual

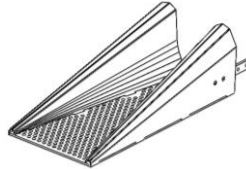
### 1

#### Part list

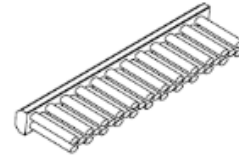
**A** Aluminium Profile



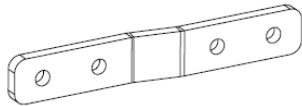
**B** Entree



**C** Brush



**D** Bracket



**E** Plug



**F** Screw



**G** T-nut



**H** Bolt M6



**I** Mounting bracket



**J** connecting strip



**K** Washer



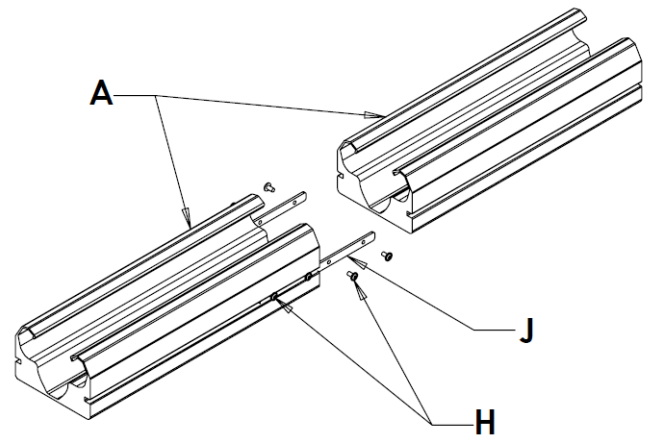
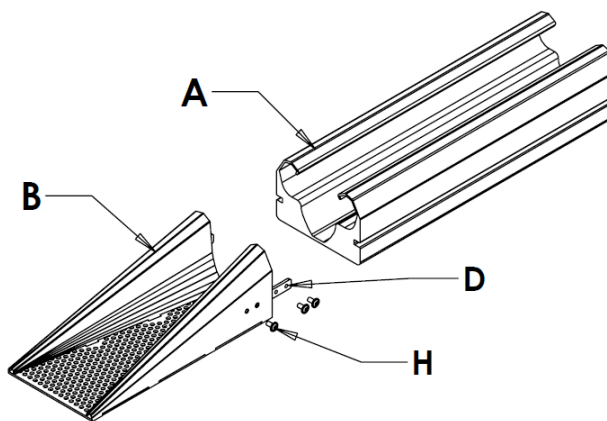
**L** Screw (small)



### 2

#### Interconnecting

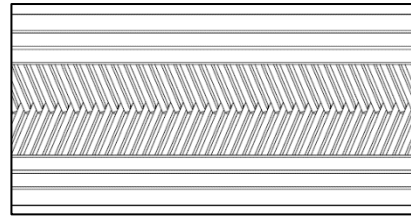
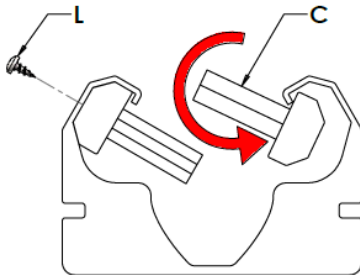
- A .
- B 2x
- D 4x
- J .
- H 12+



## 3

### Mounting the brushes

- A .
- C .
- L .

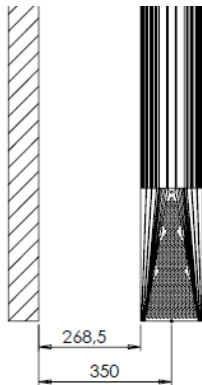


← Bikes / Brushes →

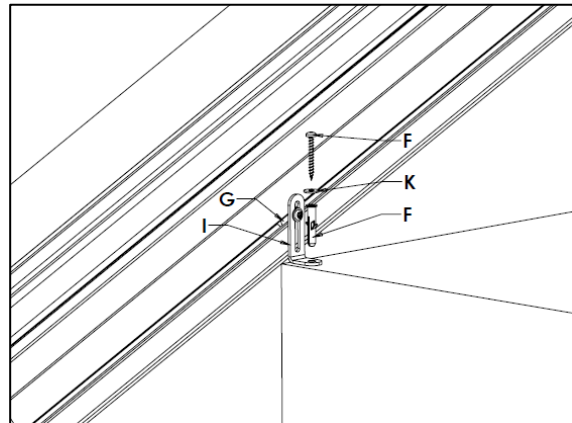
## 4

### Mounting the Gutterbrush

- E .
- F .
- G .
- K .



Recommended distance  
from the wall ca. 268 mm  
(centre distance 35cm)



Recommended distance between brackets app. 2m

## 5

### Overview

