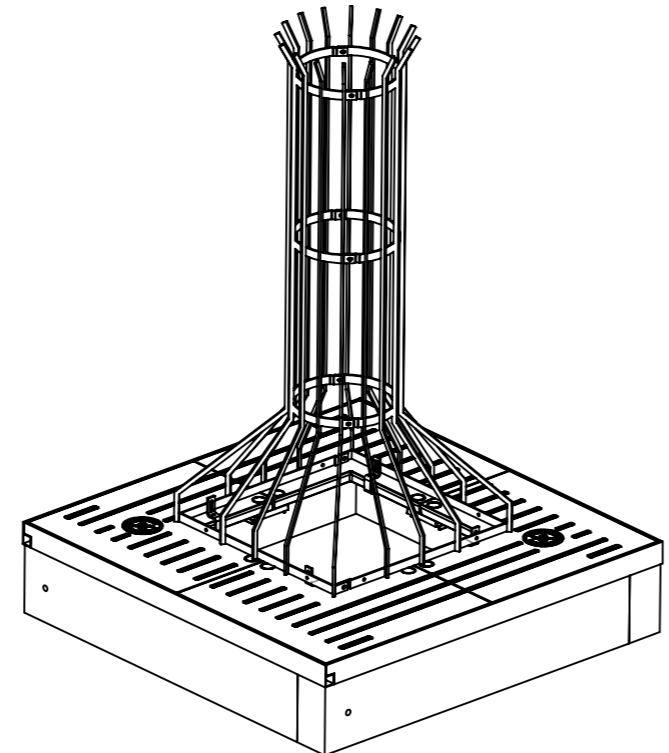
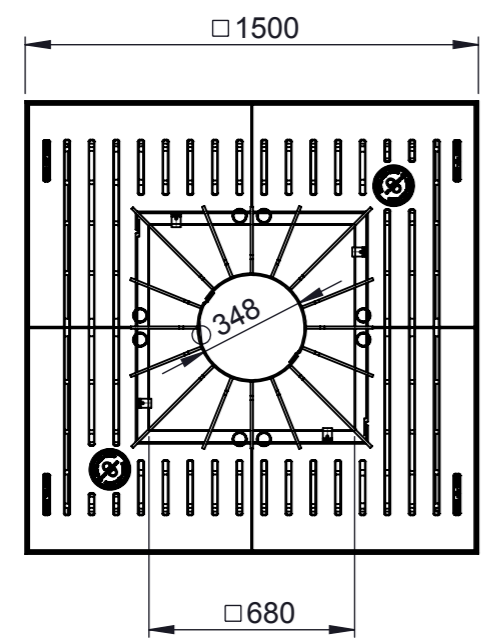
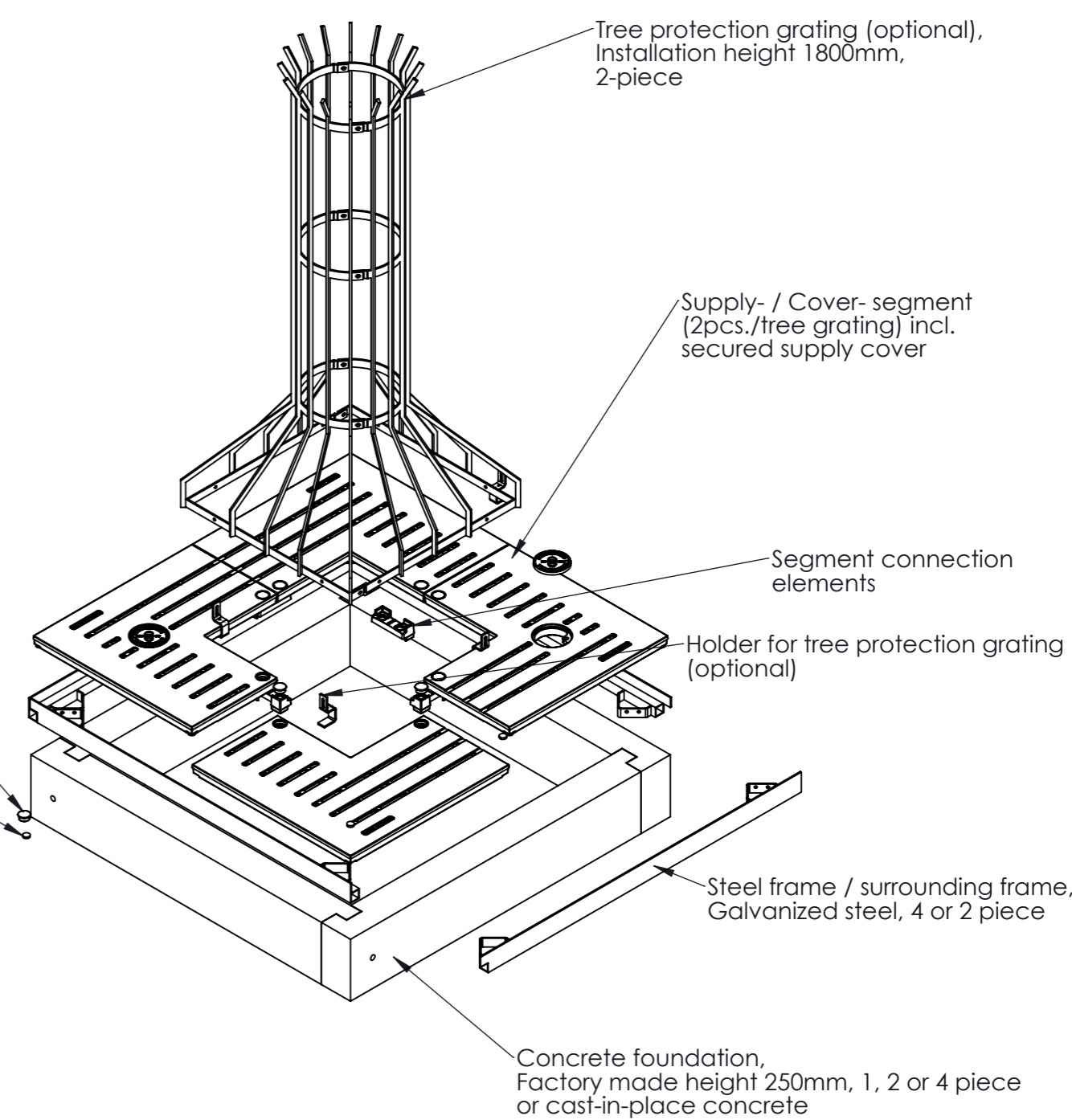
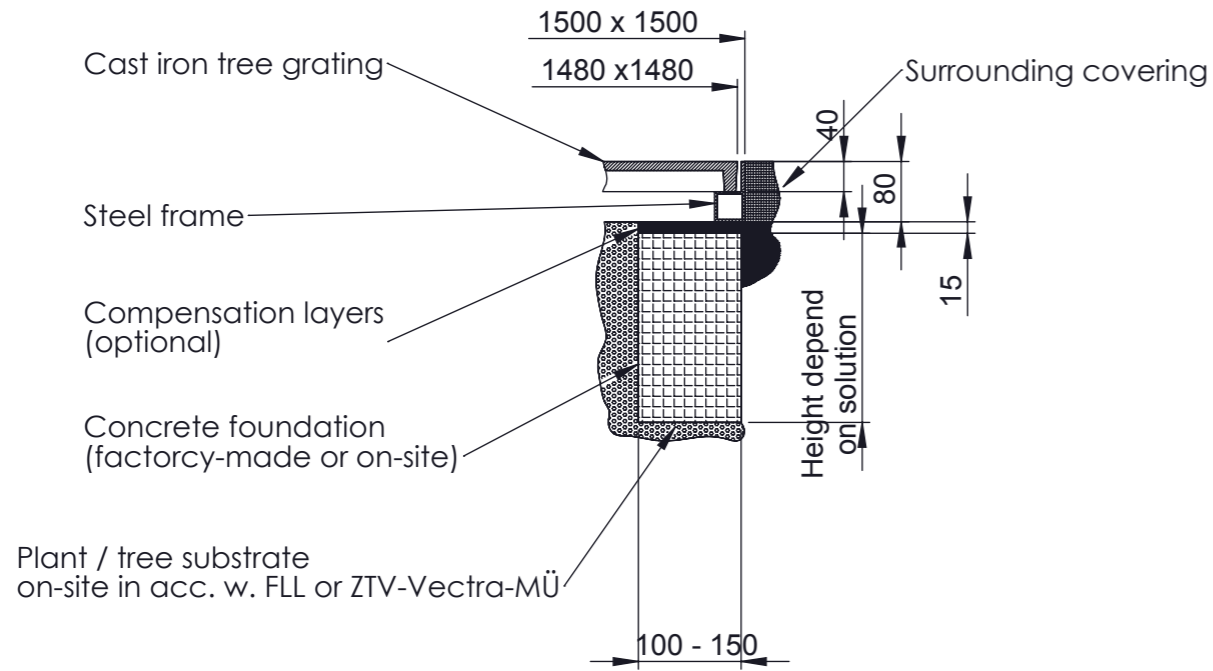


general tolerance	DIN EN ISO 8062-3	tolerance zone
±0.1	DCTG 10	1
±0.2	DCTG 12	2
±0.3	DCTG 12	3
±0.4	DCTG 12	4
±0.5	DCTG 12	5
±0.6	DCTG 12	6
±0.7	DCTG 12	7
±0.8	DCTG 12	8
±0.9	DCTG 12	9
±1.0	DCTG 12	10
±1.2	DCTG 12	11

This drawing and its contents are the property of MEIER GUSS SALES & LOGISTICS GmbH & Co. KG. The reproduction, distribution and utilization of this document as well as the communication of its contents to others without express authorization is prohibited. Offenders will be held liable for the payment of damages. All rights reserved in the event of the grant of a patent, utility model or design. This drawing not subject to the revision.



Screw-/Hole cover (plastic)
Elastomer damping insert

general tolerance DIN EN ISO 8062-3 DCTG 10

Meier Guss Sales & Logistics GmbH & Co. KG, Auf der Welle 5-7, 32369 Rahden	quality control / property rights:		scale 1:25	weight: 710.21 kg.	tol.: -
	-			material: -	
-	-	-	date	name	title.:
-	-	-	drawn 06.02.2017	Weis	Meierguss 2.0 Tree protection system Series "Lateral® 2.0", Type Q1500
-	-	-	checked -		
-	-	-	document-no.:		
-	-	-	standardize		
rev.	modification	date	name	filename: Lateral Q1500 offer drawind english J2C063B1	drawing. - no. : 02.1840 A3 English
Sp.-Ort: Z:\Inventor\Projekte\J\J2C06380\CAD\					producer ID -
					customer ID -