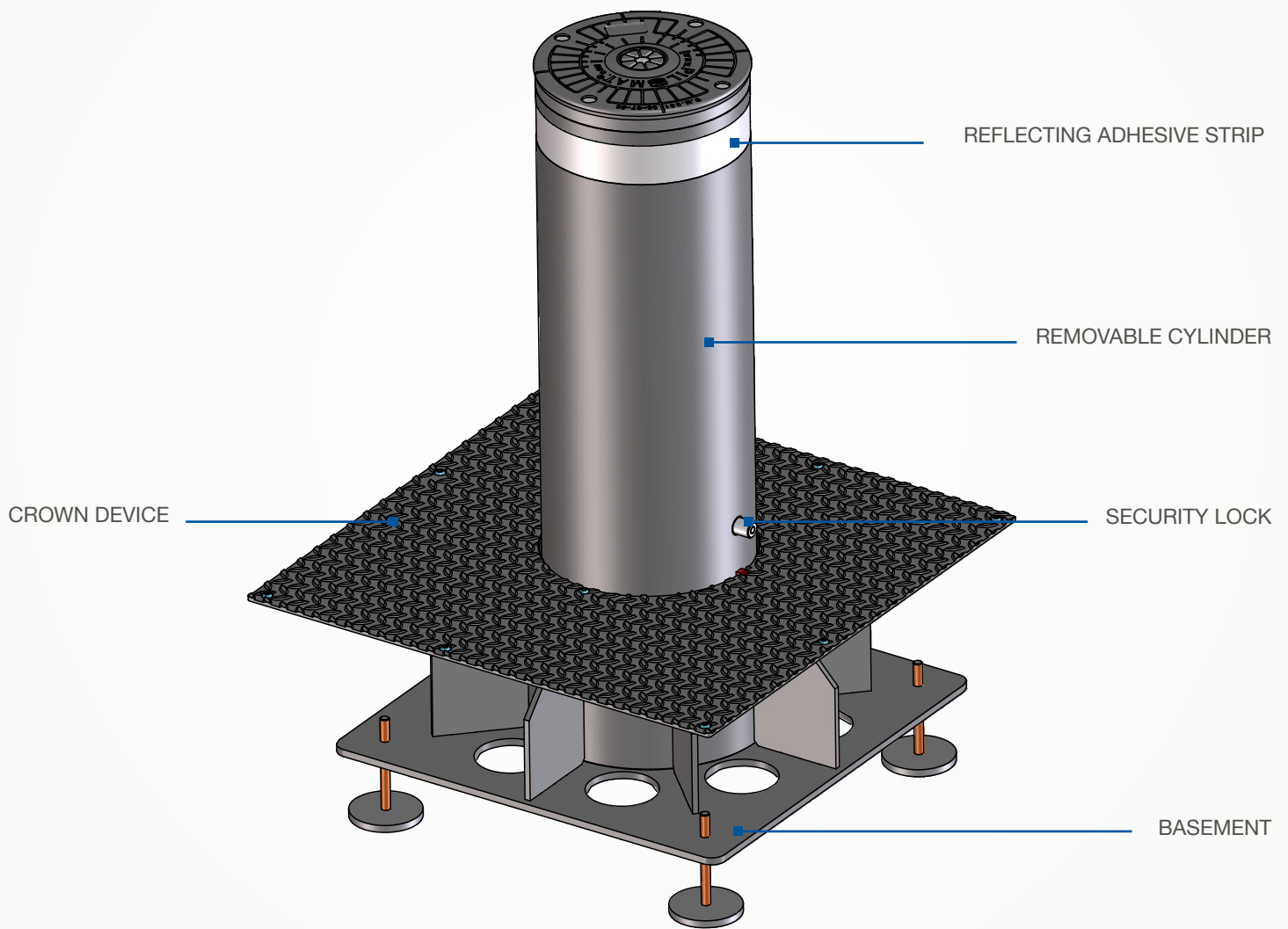


275/K4RM 700



REMOVABLE ANTITERRORISM BOLLARDS

The removable bollard PILOMAT 275/K4RM 700 are typically used to prevent the parking, transit and access of unauthorised vehicles in sensible sites. It is advised that the removable bollard is used only if the amount of daily movements is limited (if not, the automatic version should be used) or when the depth of installation does not allow for the installation of the automatic bollards.

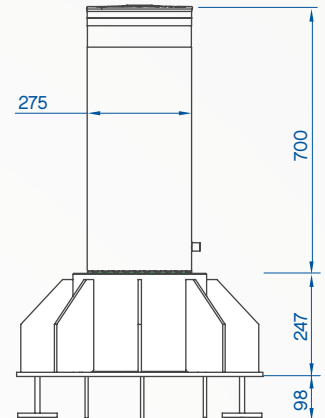


275/K4RM 700

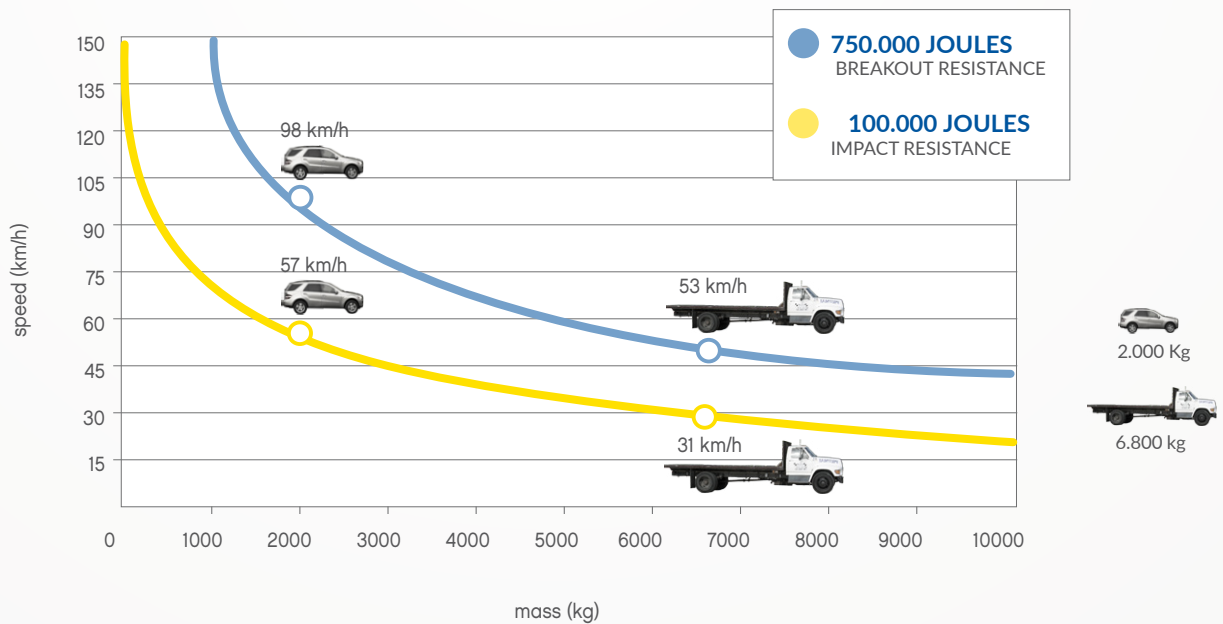


AVAILABLE ITEMS

- REMOVABLE BOLLARD 275/K4RM 700FEV – NORMAL STEEL PAINTED equipped with 2 standard keys
- REMOVABLE BOLLARD 275/K4RM 700IXS – STAINLESS STEEL BRUSHED equipped with 2 standard keys
- NORMAL STEEL PAINTED BASEMENT TO BE FIXED INTO THE GROUND
- CROWN DEVICE FOR BASEMENT
- CYLINDER PAINTING IN ANY RAL COLOR
- SECURITY LOCK WITH IDENTICAL KEYS
- ADDITIONAL SECURITY KEY FOR REMOVABLE BOLLARD



REMOVABLE CYLINDER MATERIAL	FE510 STEEL - AISI 316L STAINLESS STEEL COVERING
REMOVABLE CYLINDER DIAMETER	275mm
REMOVABLE CYLINDER HEIGHT	700mm
REMOVABLE CYLINDER THICKNESS	10mm
REMOVABLE CYLINDER STEEL FINISH	ANTI-CORROSION TREATMENT - GREY ANTHRACITE STANDARD PAINTING
REMOVABLE CYLINDER STAINLESS STEEL FINISH	AS ABOVE OR BRUSHING
REFLECTING ADHESIVE STRIP	INCLUDED IN THE SUPPLY - HEIGHT 55mm
IMPACT RESISTANCE (WITHOUT DEFORMATION)	100.000 J
BREAKOUT RESISTANCE	750.000 J



PILOMAT s.r.l.
 www.pilomat.com / pilomat@pilomat.com
 Via Zanica 17/p, 24050, Grassobbio (BG) Italy
 Tel. +39.035.29.72.20
 Copyright 2016© Pilomat S.r.l. All rights reserved