

Optima Bench

Ref. 10 3060

Street Furniture
Optima Range

Sineu Graff : Intelligent Design
for the town of tomorrow



► Presentation

The Optima bench has been developed using an eco-design approach. The Optima bench is the result of a subtle combination between wood and steel, which gives it an understated and elegant personality.

The Optima range of street furniture is designed to be in harmony with all architectures and is the most complete, including seats with 3 and 2 places, benches, chairs, and high and low tables.

This furniture has been designed and manufactured by Sineu Graff, experts in urban landscaping, in accordance with a sustainable development approach.

► Description

The seat of the bench is made up of wooden slats with a 38x160mm section.

The wood used is certified and sourced from well-managed forests.

After the application of a flow coat, the wood is coated with solvent-free water-based emulsion stain.

The legs of the bench are made up of a 6mm thick painted zinc-plated steel angle iron. A reinforcement in 4mm thick painted zinc-plated steel is located on the median plane of the seat.

Steel parts are zinc plated, then they undergo our powder blast process (after cleaning and shot blasting, they are coated with a first coat of epoxy powder, and then with a second coat of polyester powder).

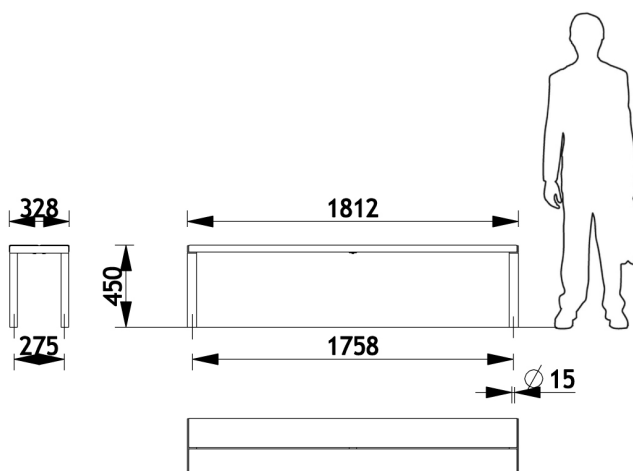
The slats of the bench are assembled onto the legs using screws and inserts. The median reinforcement of the seat is fastened with wood screws.

4 anchoring points.

Delivered assembled.

Weight: 30kg.

► Dimensions



► Colours

Colours shown:

Wood: Mahogany stain

Legs: Sand grey 900

Colours to select from RAL (satin) or AKZO NOBEL (sand) charts.



LAUD
PRODUKTER

Møblering av offentlig rom



Street Furniture



SINEU GRAFF partner in Norway :

Laud Produkter AS

Salg: Rosenkrantz gt 15, 0160 Oslo

Administrasjon: Pb. 2, 4951 Risør

Org.nr: 911933500 - Telefon: 21904020

SINEU GRAFF info@sineugraff.com - www.sineugraff.com