

# Small side table

Ref. 11 1555

Street Furniture

Link range

Sineu Graff : Intelligent Design  
for the town of tomorrow



## ➤ Presentation

The small side table from the Link range is used in combination with the lounger. These pieces have been updated to make them clean, elegant and convivial for effective integration into all types of environment.

The Link range has been made using the eco-conception approach, which limits the consumption of raw materials through simple shapes and optimises transport.

This furniture has been designed and manufactured by Sineu Graff, experts in urban landscaping, in accordance with a sustainable development approach.

## ➤ Description

The table is made of a leg assembly in galvanised steel 4 mm thick, comprising a folded steel sheet and 4 brackets, and wooden battens with a cross section of 45 x 130 mm.

The wood has clear autoclave treatment and is certified and sourced from well-managed forests.

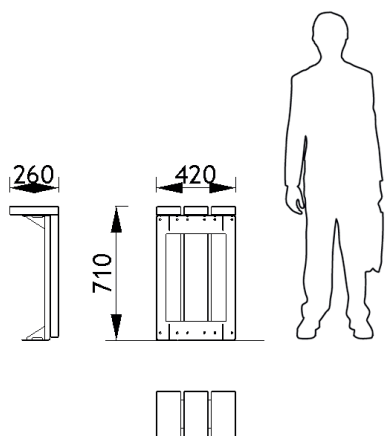
The slats are fixed to the legs with screws.

4 anchoring points.

Delivered assembled.

Weight : 17 kg.

## ➤ Dimensions



Street Furniture



La marque de la gestion forestière responsable

SINEU GRAFF  
FRANCE

Tél. + 33 (0)3 88 58 74 58 · Fax + 33 (0)3 88 74 01 00  
[info@sineugraff.com](mailto:info@sineugraff.com) - [www.sineugraff.com](http://www.sineugraff.com)