

Link chair

Ref. 11 1501

Street Furniture

Link range

Sineu Graff : Intelligent Design
for the town of tomorrow



➤ Presentation

The Link chair is used along with the picnic table. These pieces have been updated to make them clean, elegant and convivial for effective integration into all types of environment.

The Link range has been made using the eco-conception approach, which limits the consumption of raw materials through simple shapes and optimises transport.

This furniture has been designed and manufactured by Sineu Graff, experts in urban landscaping, in accordance with a sustainable development approach.

➤ Description

The chair is made of a wooden seat and backrest with cross sections of 45 x 80 mm and 45 x 130 mm, 2 legs in galvanised steel 4 mm thick and 2 flat bars in galvanised steel 10 mm thick for the backrest.

The wood has clear autoclave treatment and is certified and sourced from well-managed forests.

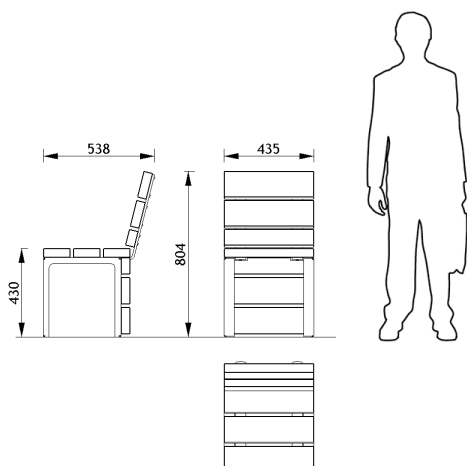
The slats are fixed to the legs with screws.

4 anchoring points.

Delivered assembled.

Weight : 23 kg.

➤ Dimensions



Street Furniture



www.sineugraff.com

SINEU GRAFF
FRANCE

Tél. + 33 (0)3 88 58 74 58 · Fax + 33 (0)3 88 74 01 00
info@sineugraff.com - www.sineugraff.com