

275/PL 600F



FIXED BOLLARDS WITH COUNTERFRAME

The fixed 275/PL 600F PILOMAT have been designed and built with architectural appearance similar to that of the retractable PILOMAT bollards and therefore also allows the combined use of both versions.

Current models are the result of the dedication of more than 40 years in the field of access control and a twenty-year specialization in bollards.

GENERAL FEATURES

The fixed PILOMAT bollards are used in public or private areas in order to define or prevent the parking of vehicles, for preventing access to vehicles in pedestrian areas. These items, with a counterframe to wall, in addition to the architectural appearance of the automatic PILOMAT, allow the removal of the bollard in the event of such a removal being needed, or if impact has occurred.



PAG.1/2

PILOMAT

100% MADE IN ITALY



PILOMAT s.r.l.
www.pilomat.com / pilomat@pilomat.com
Via Zanica 17/p, 24050, Grassobbio (BG) Italy
Tel. +39.035.29.72.20
Copyright 2016© Pilomat S.r.l. All rights reserved

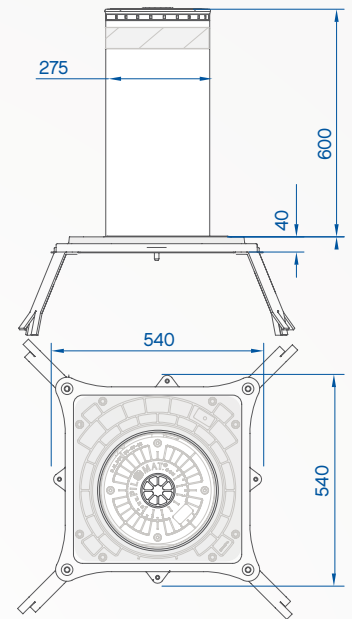
275/PL 600F_DATASHEET.16 REVIEW 16/06/2016

275/PL 600F

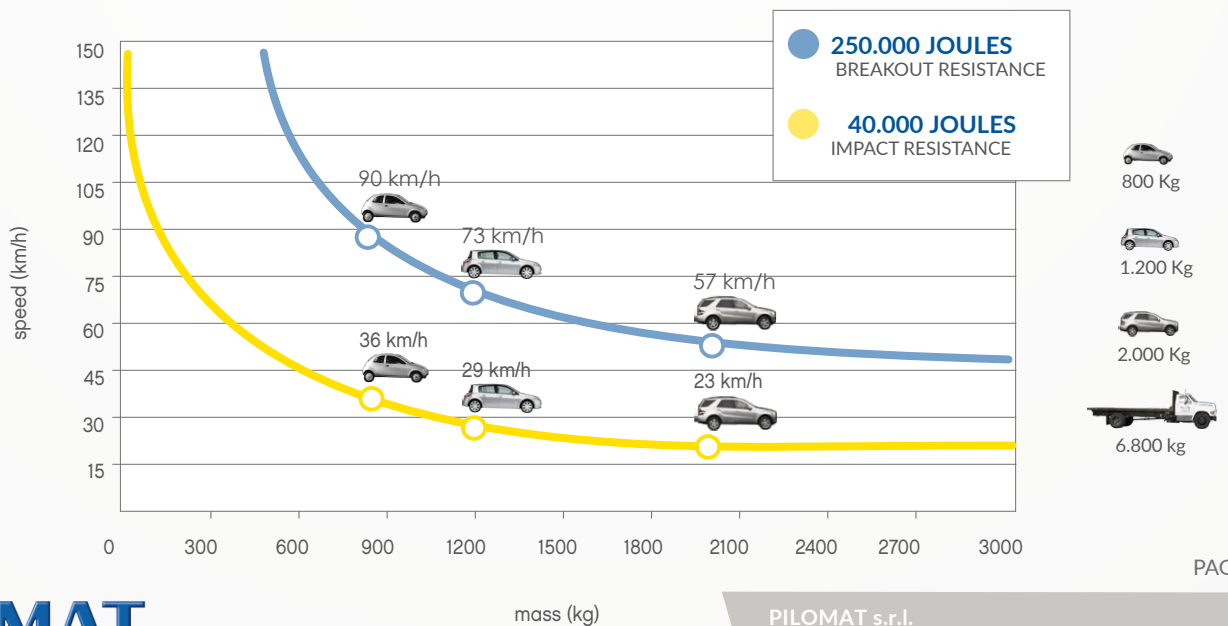


OPTIONAL ITEMS

- PILOMAT BOLLARD 275/PL 600FFE - NORMAL STEEL PAINTED
- PILOMAT BOLLARD 275/PL 600FIXV - STAINLESS STEEL PAINTED
- PILOMAT BOLLARD 275/PL 600FIXS - STAINLESS STEEL BRUSHED
- RIBS ON FIXED CYLINDER
- HEAD WITHOUT LOGO FOR PILOMAT 275/PL 600F
- MULTILED FLASHING LIGHT - 8 LED POINTS
- MULTILED FLASHING LIGHT - 27 LED POINTS
- REFLECTING ADHESIVE STRIP - WHITE (NO-LOGO)
- FLASHING LIGHT POWER CIRCUIT FOR FIXED BOLLARDS (MAX. 4 BOLLARDS)
- PAINTING WITH RAL COLOUR ON REQUEST
- KIT ANTI-TEMPERING SCREWS FOR CROWN - REMOVAL KEY



FIXED CYLINDER	NORMAL STEEL FE370 - AISI 304 STAINLESS STEEL - AISI 316 STAINLESS STEEL
FIXED CYLINDER DIAMETER	275mm
FIXED CYLINDER HEIGHT	600mm
FIXED CYLINDER NORMAL STEEL THICKNESS	6mm
FIXED CYLINDER STAINLESS STEEL THICKNESS	AISI 304: 6mm - AISI 316: 4mm
FIXED CYLINDER NORMAL STEEL FINISH	POLYESTER POWDER PAINT - STANDARD GREY ANTHRACITE
FIXED CYLINDER STAINLESS STEEL FINISH	AS ABOVE OR BRUSHED - AISI 316 STAINLESS STEEL BRUSHED COVERING
REFLECTING ADHESIVE STRIP	YES - HEIGHT 55mm
PROTECTION CLASS	IP67
IMPACT RESISTANCE (WITHOUT DEFORMATION)	40.000 J
BREAKOUT RESISTANCE	250.000 J
BRACKETS INCLUDED	YES - 4 BRACKETS
CONNECTION LINE FOR FLASHING LIGHT	STANDARD 10m (MAX. LENGTH 80m)



100% MADE IN ITALY

mass (kg)

PILOMAT s.r.l.
 www.pilomat.com / pilomat@pilomat.com
 Via Zanica 17/p, 24050, Grassobbio (BG) Italy
 Tel. +39.035.29.72.20
 Copyright 2016© Pilomat S.r.l. All rights reserved